

DS-2AE5123TI-A

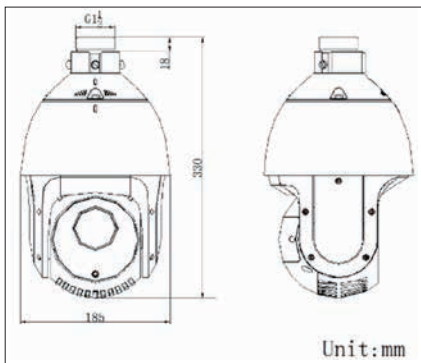
1MP 23X HD-TVI IR PTZ Dome Camera



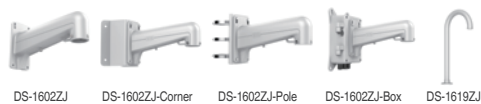
Key features

- 1/3" HD CMOS sensor
- 1280*720, 23X Optical Zoom
- RS-485 communication diagnosis
- UTC (Up the Coax) function
- 150m IR distance

Dimensions



Accessories



Available models

DS-2AE5123TI-A, 24VAC, outdoor

DS-2AE5123TI-A	
Camera Module	
Image Sensor	1/3" CMOS
Frame Rate	50Hz:25fps(1280×720), 50fps (1280×720) 60Hz:30fps(1280×720), 60fps (1280×720)
Min. Illumination	F1.4, AGC On: Color: 0.05lux, B/W: 0.005lux
Max. Image Resolution	1280×720
Focal Length	4-92mm, 23x
Digital Zoom	16X
Zoom Speed	Approx.3.0s(Optical Wide-Tele)
Angle of View	49-2.2 degree (Wide-Tele)
Min. Working Distance	10-1000mm(Wide-Tele)
Aperture Range	F1.4-F3.5
Focus Mode	Auto / Semiautomatic / Manual
WDR	Support
S / N Ratio	≥ 50dB
Shutter Time	50Hz: 1~1/10,000s; 60Hz: 1~1/10,000s
AGC	Auto / Manual
White Balance	Auto / Manual /ATW/Indoor/Outdoor
Day & Night	IR Cut Filter
Privacy Mask	8 privacy masks programmable; optional multiple colors and mosaics
Enhancement	3D DNR, BLC
Pan and Tilt	
Range	Pan:360° endless; Tilt: -15°-90°(Auto Flip)
Speed	Pan Manual Speed: 0.1°-400°/s, Pan Preset Speed: 400°/s Tilt Manual Speed: 0.1°-120°/s, Tilt Preset Speed: 200°/s
Number of Preset	256
Patrol	8 patrols, up to 32 presets per patrol
Pattern	4 patterns, with the recording time not less than 10 minutes per pattern
Proportional Zoom	Rotation speed can be adjusted automatically according to zoom multiples
Power-off Memory	Support
Park Action	Preset / Patrol / Pattern / Pan scan / Tilt scan / Random scan / Frame scan / Panorama scan
PTZ Position Display	On / Off
Preset Freezing	Support
Scheduled Task	Preset / Patrol / Pattern / Pan scan / Tilt scan / Random scan / Frame scan / Panorama scan
RS-485 communication diagnosis	Support
Infrared	
IR Distance	Up to 150m
IR Intensity	Automatically adjusted, depending on the zoom ratio
Input/Output	
Turbo HD Output	1 turbo HD720p output, BNC
CVBS Output	1.0V[p-p] / 75Ω, NTSC (or PAL) composite, BNC, support dual-output
UTC function	HIKVISION_C
Alarm Input	2
Alarm Output	1
System Integration	
Menu Language	English, Chinese
RS-485 Protocols	Half-duplex mode Self-adaptive HIKVISION, Pelco-P, Pelco-D protocol
Power	24 VAC, Max. 20W (Heater On), Max. 12W(Heater Off)
Working Temperature	-30°C ~ 65°C (-22°F ~ 149°F)
Humidity	90% or less
Protection Level	IP66, TVS 4,000V lightning protection, surge protection and voltage transient protection
Certification	FCC, CE, UL, RoHS, IEC/EN 61000, IEC/EN 55022, IEC/EN 55024, IEC /EN60950-1
Dimensions	Φ185mm×330(mm) (Φ7.28"×12.99")
Weight (approx.)	4kg (8.81lbs)
Mount Option	Long-arm wall mount: DS-1602ZJ; Corner mount: DS-1602ZJ-corner; Pole Mount: DS-1602ZJ-pole; Power box mount:DS-1602ZJ-box;Swan-neck mount: DS-1619ZJ