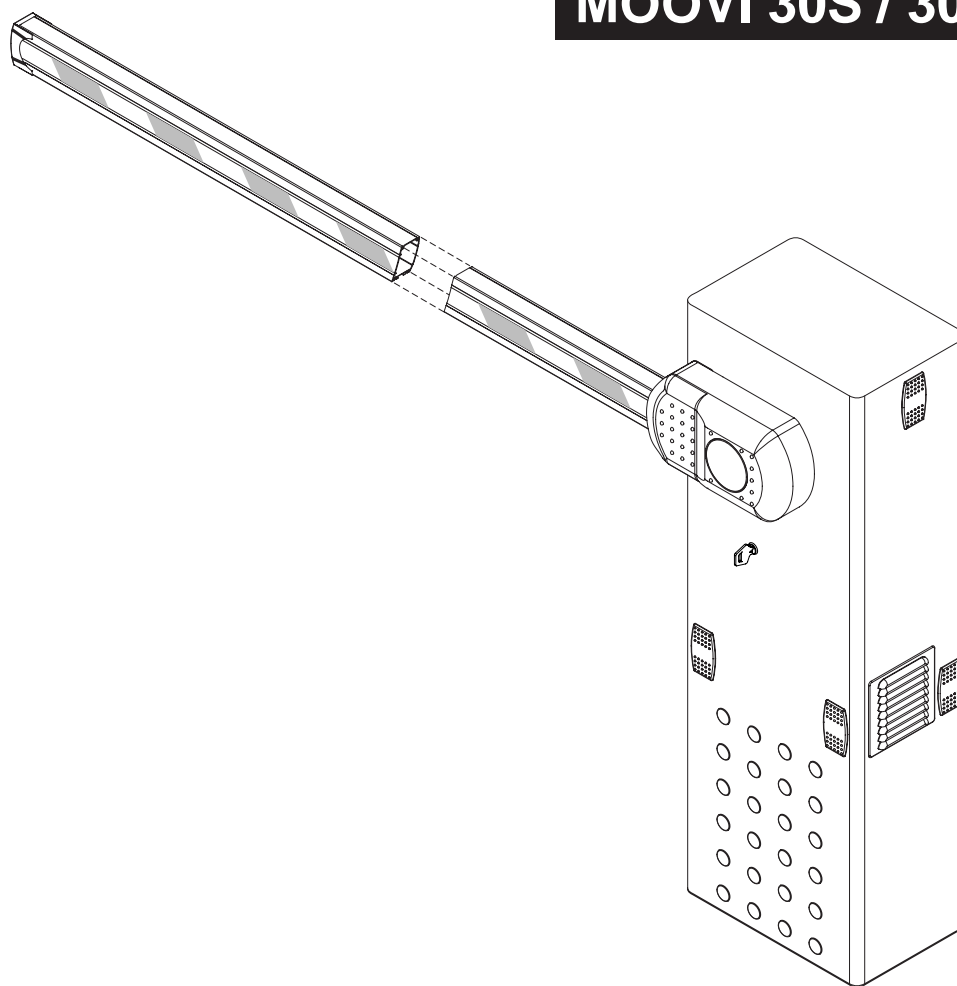


- I** AUTOMATISMO ELETTROMECCANICO PER BARRIERA VEICOLARE
- GB** ELECTROMECHANICAL CONTROL DEVICE FOR VEHICULAR BARRIERS
- F** AUTOMATISME ELECTROMECHANIQUE POUR BARRIERE POUR VÉHICULES
- D** ELEKTROMECHANISCHER ANTRIEB FÜR FAHRZEUGSCHRANKEN
- E** AUTOMATISMOS ELECTROMECHANICOS PARA BARRÉRAS VEHICULAR
- P** AUTOMATIZAÇÃO ELECTROMECHANICA PARA BARREIRA VEICULAR



MOOVI 30S / 30-50 RMM



ISTRUZIONI D'USO E DI INSTALLAZIONE
INSTALLATION AND USER'S MANUAL
INSTRUCTIONS D'UTILISATION ET D'INSTALLATION
INSTALLATIONS-UND GEBRAUCHSANLEITUNG
INSTRUCCIONES DE USO Y DE INSTALACION
INSTRUÇÕES DE USO E DE INSTALAÇÃO



AZIENDA CON SISTEMA DI GESTIONE
INTEGRATO CERTIFICATO DA DNV
= UNI EN ISO 9001:2008 =
UNI EN ISO 14001:2004

Via Lago di Vico, 44
 36015 Schio (VI)
 Tel.naz. 0445 696511
 Tel.int. +39 0445 696533
 Fax 0445 696522
 Internet: www.bft.it
 E-mail: sales@bft.it



**DICHIARAZIONE DI CONFORMITÀ / DECLARATION OF CONFORMITY / DÉCLARATION DE CONFORMITÉ
KONFORMITÄTSERKLÄRUNG / DECLARACION DE CONFORMIDAD / DECLARAÇÃO DE CONFORMIDADE**

(Dir. 98/37/EEC allegato / annex / on annexe / anlage / adjunto / ficheiro IIB)

Fabbricante / Manufacturer / Fabricant / Hersteller / Fabricante / Fabricante:

BFT S.p.a.

Indirizzo / Address / Adresse / Adresse / Dirección / Endereço:

Via Lago di Vico 44
36015 - Schio
VICENZA - ITALY

- Dichiara sotto la propria responsabilità che il prodotto: / Declares under its own responsibility that the following product:
/ Déclare sous sa propre responsabilité que le produit: / Erklärt auf eigene Verantwortung, daß das Produkt: / Declara, bajo su propia responsabilidad, que el producto: / Declara, sob a sua responsabilidade, que o produto:

Automatismo elettromeccanico per barriera stradale mod. / Electromechanical control device for barriers mod. / Automatisme electromecanique pour barriere levante mod. / Elektromechanischer schrankenbetrieb mod. / Automatismos electromecanicos para barreras mod. / Automatização electromecânica para barreira estradal mod.

MOOVI 30 S, MOOVI 30 RMM, MOOVI 50 RMM

- È costruito per essere incorporato in un macchinario che verrà identificato come macchina ai sensi della DIRETTIVA MACCHINE. / Has been produced to be incorporated into a machinery, which will be identified as a machine according to the MACHINERY DIRECTIVE. / A été construit pour l'incorporation successive dans un équipement qui sera identifié comme machine conformément à la DIRECTIVE MACHINES. / Dafür konstruiert wurde, in ein Gerät eingebaut zu werden, das als Maschine im Sinne der MASCHINEN-DIREKTIVE identifiziert wird. / Ha sido construido para ser incorporado en una maquinaria, que se identificará como máquina de conformidad con la DIRECTIVA MAQUINAS. / Foi construído para ser incorporado numa maquinaria, que será identificada como máquina em conformidade com a DIRECTIVA MÁQUINAS
- È conforme ai requisiti essenziali di sicurezza delle Direttive: / It also complies with the main safety requirements of the following Directives: / Est conforme aux exigences essentielles de sécurité des Directives: / Es entspricht den grundlegenden Sicherheitsbedingungen der Direktiven: / Es conforme a los requisitos esenciales de seguridad de las Directivas: / Está conforme aos requisitos essenciais de segurança das Directivas

BASSA TENSIONE / LOW VOLTAGE / BASSE TENSION / NIEDERSPANNUNG / BAJA TENSION / BAIXA TENSÃO 73/23/CEE, 93/68/CEE (EN60335-1 (94)) (e modifiche successive / and subsequent amendments / et modifications successives / und ihren nachfolgende Änderungen / e modificações sucessivas / y modificaciones sucesivas).


COMPATIBILITÀ ELETTROMAGNETICA / ELECROMAGNETIC COMPATIBILITY / COMPATIBILITÉ ÉLECTROMAGNÉTIQUE / ELEKTROMAGNETISCHE KOMPATIBILITÄT / COMPATIBILIDAD ELECTROMAGNETICA / COMPATIBILIDADE ELECTROMAGNÉTICA 89/336/CEE, 91/263/CEE, 92/31/CEE, 93/68/CEE (EN61000-6-1, EN61000-6-2, EN61000-6-3, EN61000-6-4, EN55014-1, EN55014-2) (e modifiche successive / and subsequent amendments / et modifications successives / und ihren nachfolgende Änderungen / e modificações sucessivas / y modificaciones sucesivas).

APPARECCHIATURE RADIO / RADIO SETS / INSTALLATIONS RADIO / RADIOAPPARATE / RADIOEQUIPOS / RADIOAPARELHOS 99/5/CEE (ETSI EN 301 489-3 (2000) +ETSI EN 301 489-1 (2000), ETSI EN 300 220-3 (2000)) (e modifiche successive / and subsequent amendments / et modifications successives / und ihren nachfolgende Änderungen / e modificações sucessivas / y modificaciones sucesivas).

- Si dichiara inoltre che è vietata la messa in servizio del prodotto, prima che la macchina in cui sarà incorporato, sia stata dichiarata conforme alle disposizioni della DIRETTIVA MACCHINE. / We also declare that it is forbidden to start the product before the machinery into which it will be incorporated is declared in compliance with the prescriptions of the MACHINERY DIRECTIVE. / Nous déclarons en outre que la mise en service du produit est interdite, avant que la machine où il sera incorporé n'ait été déclarée conforme aux dispositions de la DIRECTIVE MACHINES. / Es wird außerdem erklärt, daß die Inbetriebnahme des Produkts verboten ist, solange die Maschine, in die es eingebaut wird, nicht als mit den Vorschriften der MASCHINEN-DIREKTIVE konform erklärt wurde. / Se declara, además, que está prohibido instalar el producto antes de que la máquina en la que se incorporará haya sido declarada conforme a las disposiciones de la DIRECTIVA MAQUINAS / Declaramos, além disso, que é proibido instalar o produto, antes que a máquina em que será incorporada, tenha sido declarada conforme às disposições da DIRECTIVA MÁQUINAS

SCHIO, 16/03/2004

Il Rappresentante Legale / The legal Representative
Le Représentant Légal / Der gesetzliche Vertreter
El Representante Legal / O Representante legal


(GIANCARLO BONOLLO)

Thank you for buying this product. Our company is sure that you will be more than satisfied with the performance of the product. This product is supplied with a "WARNINGS" leaflet and an "INSTRUCTION MANUAL". These should both be read carefully as they provide important information about safety, installation, operation and maintenance. This product complies with recognised technical standards and safety regulations. We declare that this product is in conformity with the following European Directives: 89/336/CEE, 73/23/EEC, 98/37/EEC and subsequent amendments.

1) GENERAL OUTLINE

Compact electromechanical barrier suitable for limiting private areas, parkings, access areas for vehicles only. Available for passageways from 3 to 5 metres. Adjustable electromechanical limit devices ensuring a correct stop position for the boom. In case of intensive use, a thermal sensor activates the cooling fan.

The emergency release device for manual manoeuvre is controlled by a personalised key lock.

The actuator is always supplied for left-hand side fitting. However, when necessary, the opening direction can be reversed by means of simple operations. The CBO mod. foundation base (on request) makes barrier installation easier. Appropriate fittings make it easy to install accessories without needing to drill any holes.

! WARNING! The barrier must be exclusively used for vehicles to drive through. Pedestrians must not walk within the operator manoeuvring area. An appropriate pedestrian passageway must be provided for.

2) EMERGENCY RELEASE (Fig.1)

The emergency release allows the bar to be manoeuvred manually. It is activated from the outside of the box by inserting the personalised key into the lock placed under the bar and rotating it anticlockwise by 180°.

WARNING! When an actuator without bar needs to be released, ensure that the balancing spring is not compressed (bar in the opening position).

3) USE OF AUTOMATION

As automation can be remotely controlled and therefore not within sight, it

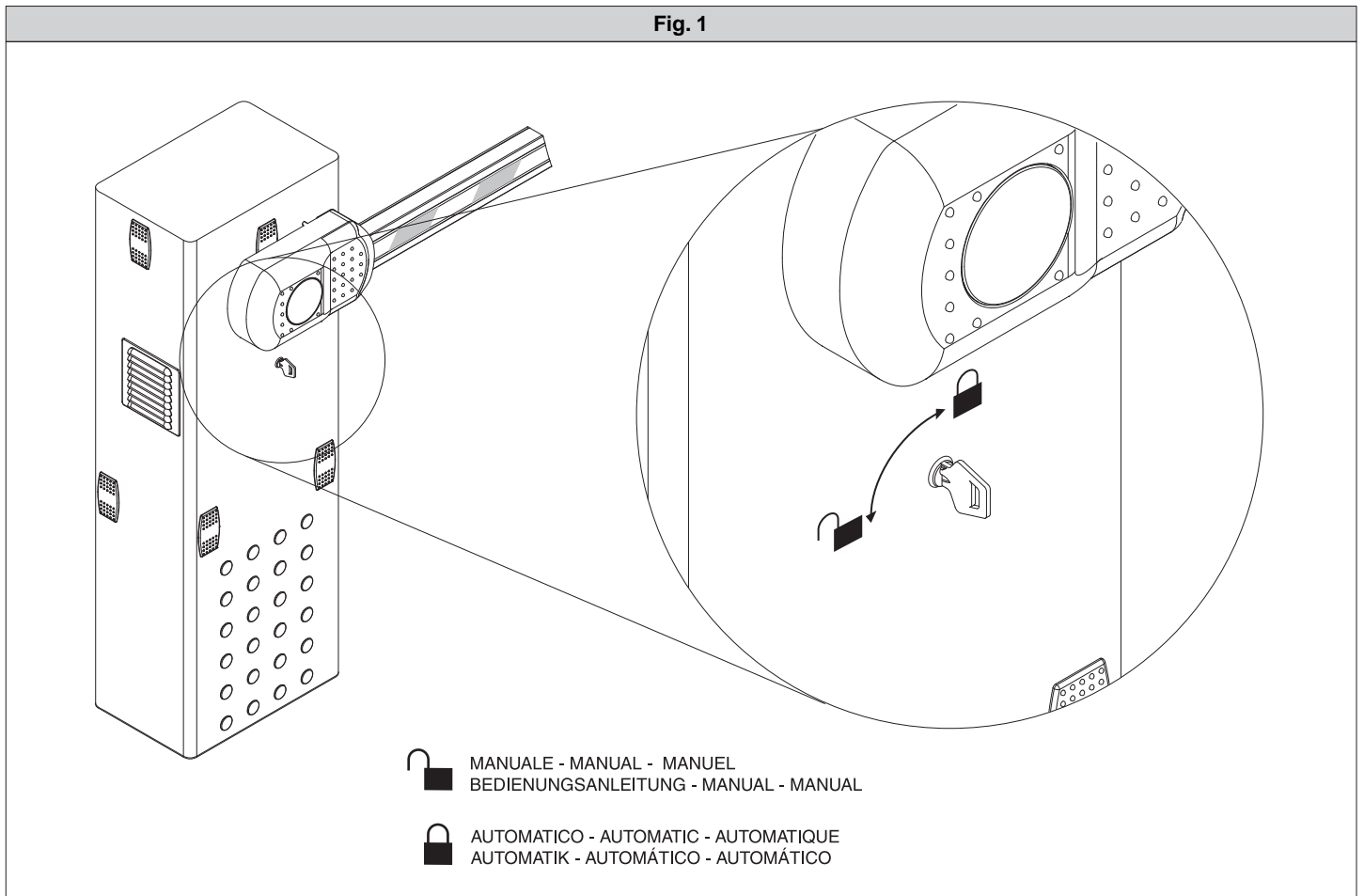
is essential to frequently check that all safety devices are perfectly efficient. **WARNING!** In case of any malfunction in the safety devices, take immediate action and require the assistance of a specialised technician. It is recommended to keep children at a safe distance from the automation field of action.

4) SCRAPPING

Materials must be disposed of in conformity with the current regulations. In case of scrapping, the automation devices do not entail any particular risks or danger. In case of recovered materials, these should be sorted out by type (electrical components, copper, aluminium, plastic etc.).

The descriptions and illustrations contained in the present manual are not binding. The Company reserves the right to make any alterations deemed appropriate for the technical, manufacturing and commercial improvement of the product, while leaving the essential product features unchanged, at any time and without undertaking to update the present publication.

Fig. 1



Thank you for buying this product. Our Company is sure that you will be more than satisfied with the performance of the product. This product is supplied with a **“WARNINGS”** leaflet and an **“INSTRUCTION MANUAL”**. These should both be read carefully as they provide important information about safety, installation, operation and maintenance. This product complies with recognised technical standards and safety regulations. We declare that this product is in conformity with the following European Directives: 89/336/CEE, 73/23/EEC, 98/37/EEC and subsequent amendments.

1) GENERAL OUTLINE

Compact electromechanical barrier suitable for limiting private areas, parkings, access areas for vehicles only. Available for passageways from 3 to 5 metres. Adjustable electromechanical limit devices ensuring a correct stop position for the boom. In case of intensive use, a thermal sensor activates the cooling fan.

The emergency release device for manual manoeuvre is controlled by a personalised key lock.

The actuator is always supplied for left-hand side fitting. However, when necessary, the opening direction can be reversed by means of simple operations.

The CBO mod. foundation base (on request) makes barrier installation easier.

Appropriate fittings make it easy to install accessories without needing to drill any holes.

The **LEO-MV-D** control panel is supplied by the manufacturer with standard setting. Any alteration must be set by means of the incorporated display programmer or by means of **Universal palmtop programmer**. The Control unit completely supports the EELINK protocol, including the programmer self-supply from the control unit.

Its main characteristics are:

- Closing / opening limit-switch inputs
- Separate inputs for safety devices
- Clock input
- Serial protocol connection input
- Incorporated radio receiver

The board is provided with a terminal board which can be pulled out for easier maintenance or replacement. The board is supplied with a series of pre-wired jumpers to facilitate the installer's work.

The jumpers relate to the following terminals: 21-23, 21-24 and 21-30. If the above-mentioned terminals are in use, remove their respective jumpers.

2) GENERAL SAFETY

WARNING! An incorrect installation or improper use of the product can cause damage to persons, animals or things.

- The **“Warnings”** leaflet and **“Instruction booklet”** supplied with this product should be read carefully as they provide important information about safety, installation, use and maintenance.
- Scrap packing materials (plastic, cardboard, polystyrene etc) according to the provisions set out by current standards. Keep nylon or polystyrene bags out of children's reach.
- Keep the instructions together with the technical brochure for future reference.
- This product was exclusively designed and manufactured for the use specified in the present documentation. Any other use not specified in this documentation could damage the product and be dangerous.
- The Company declines all responsibility for any consequences resulting from improper use of the product, or use which is different from that expected and specified in the present documentation.
- Do not install the product in explosive atmosphere.
- The construction components of this product must comply with the following European Directives: 89/336/CEE, 73/23/EEC, 98/37/EEC and subsequent amendments. As for all non-EEC countries, the above-mentioned standards as well as the current national standards should be respected in order to achieve a good safety level.
- The Company declines all responsibility for any consequences resulting from failure to observe Good Technical Practice when constructing closing structures (door, gates etc.), as well as from any deformation which might occur during use.
- The installation must comply with the provisions set out by the following European Directives: 89/336/CEE, 73/23/EEC, 98/37/EEC and subsequent amendments.
- Disconnect the electrical power supply before carrying out any work on the installation. Also disconnect any buffer batteries, if fitted.
- Fit an omnipolar or magnetothermal switch on the mains power supply, having a contact opening distance equal to or greater than 3,5 mm.
- Check that a differential switch with a 0.03A threshold is fitted just before the power supply mains.
- Check that earthing is carried out correctly: connect all metal parts for

closure (doors, gates etc.) and all system components provided with an earth terminal.

- Fit all the safety devices (photocells, electric edges etc.) which are needed to protect the area from any danger caused by squashing, conveying and shearing, according to and in compliance with the applicable directives and technical standards.
- Position at least one luminous signal indication device (blinker) where it can be easily seen, and fix a Warning sign to the structure.
- The Company declines all responsibility with respect to the automation safety and correct operation when other manufacturers' components are used.
- Only use original parts for any maintenance or repair operation.
- Do not modify the automation components, unless explicitly authorised by the company.
- Instruct the product user about the control systems provided and the manual opening operation in case of emergency.
- Do not allow persons or children to remain in the automation operation area.
- Keep radio control or other control devices out of children's reach, in order to avoid unintentional automation activation.
- The user must avoid any attempt to carry out work or repair on the automation system, and always request the assistance of qualified personnel.
- Anything which is not expressly provided for in the present instructions, is not allowed.
- Installation must be carried out using the safety devices and controls prescribed by the EN 12978 Standard.

3) TECHNICAL SPECIFICATIONS

MOOVI 30S

Power supply:	220-230V 50/60Hz(*)
Absorbed power:	300W
Motor:	2800 min ⁻¹ 2 poles
Capacitor:	25µF 450V (220-230V): 100µF 250V (110V)
Absorption:	0.8 A - 1.6 A
Insulation class:	F
Ventilation intervention temperature:	110 °C (winding)
Circuit-breaking intervention temperature:	130 °C (self-resetting)
Reduction gear lubrication:	Permanent grease
Max torque:	72Nm
Minimum opening time:	1.5 s
Boom (aluminium) length:	3m max.
Impact reaction:	Obstacle detection device (Encoder)
Limit devices:	Electric, incorporated and adjustable
Manual manoeuvre:	Quick key release
Maximum no. manoeuvres in 24h (peak):	3000
Working temperature:	-10°C to +55 °C
Degree of protection:	IP24
Operator weight (without boom):	356N (~35.6 kg)
Dimensions:	See fig. 1

(*) Special supply voltages available on request.

MOOVI 30 RMM - MOOVI 50 RMM

Power supply:	220-230V 50/60Hz
Absorbed power:	300W
Motor:	1400 min ⁻¹ , 4 poles
Capacitor:	8µF 450V (220-230V):32µF 250V (110V)
Absorption:	0.8 A:1.6 A
Insulation class:	F
Ventilation intervention temperature:	110°C (winding)
Circuit-breaker intervention temperature:	130°C (self-resetting)
Reduction gear lubrication:	Permanent grease
Max torque:	MOOVI-30 85Nm: MOOVI-50 250Nm
Opening time:	MOOVI-30 4s : MOOVI-50 8s
(Aluminium) bar length:	MOOVI-30 3m max: MOOVI-50 5m max: MOOVI-50 + ATG6 6m max
Max Impact reaction:	Obstacle detection device (Encoder)
Limiting devices:	Electric, incorporated and adjustable
Manual manoeuvre:	Quick key release
No. manoeuvres in 24 hour:	1200 (MOOVI-30) :600 (MOOVI-50)
Working temperature:	-10°C ÷ +55°C
Degree of protection:	IP24
Actuator weight (without bar):	356N (~35.6 kg)
Dimensions:	See fig.1

(*) Special power voltages available on request.

4) OPTIONAL ACCESSORIES (Fig.15)

- **CBO.** Foundation base
- **MOOVI PRM.** Antishearing Kit
- **MOOVI 130.** Kit for Cellula 130 fixing post


- **FAF.** Fixed fork for boom rest
- **MOOVI GA.** Movable rod for boom rest (Only for MOOVI 50 RMM)
- **MOOVI GAMA.** Movable cushioned rod for boom rest (Only for MOOVI 30/50 RMM).
- **SB.** Skirt already assembled to the boom (Only for MOOVI 30/50 RMM).
- **Safety edge BIR**
- **MOOVI LIGHT.** Light kit for booms from 3m to 4.5m
- **MOOVI LIGHT 1.** Light kit for booms from 5m to 6m
- **MOOVI PCA.** Lower or upper boom covering contour
- ELL 3/5
- AQG3 - AQG5
- GTO AQG -GTO ATG
- ATG3 - ATG5 - ATG6

For further information about installation and use of the accessories, make reference to their respective instruction manuals.

5) FOUNDATION PLATE (Fig.2)

- Prepare a foundation hole suitable for the particular kind of ground.
- Layout several raceways for the electric cables to pass through.
- Position the screws supplied with the CBO mod. base into the 4 fixing holes with the thread facing upwards. Weld the 4 screw heads to the base and protect the welds with rust preventer. Position the base so that it protrudes about 20mm from the floor (fig.2).
- Fill the hole with concrete, checking the position of the base in both directions by means of a level, and let the cement harden.

6) FITTING OF THE ACTUATOR

 **WARNING! The barrier must be exclusively used for vehicles to drive through. Pedestrians must not walk within the operator manoeuvring area. An appropriate pedestrian passageway must be provided for.**

The passageway must be suitably indicated by means of the warning signs illustrated in Fig.10.

WARNING: before opening the door, make sure that the spring has been unloaded (rod at 43°). The door of the box must face the inside of the property. When standing in the middle of the passageway, if the box is on the left the barrier opens to the left, and if the box is on the right the barrier opens to the right.

The actuator is always supplied for left-hand side fitting.

6.1) Left-hand fitting

- Fix the operator to the foundation base and secure it by means of nuts M12 (fig.4 ref.1). The door of the box must face towards the inside of the property.
- The upper surface of the operator is slightly tilted so as to prevent any rain water from being trapped there. Therefore use a side surface to check correct positioning by means of a level (fig.2).
- The installation of the MOOVI PRM antishearing Kit (optional) is easier when carried out before fitting the boom to the operator. Make reference to Fig.18 and paragraph 6.4 for correct fitting of the MOOVI PRM Kit, then proceed to fit the boom.
- Fit the boom in its opening position (vertical) as indicated in fig.3, ref.7. The operator balancing is pre-calibrated for the nominal boom in the opening position (balancing spring stretched).
- Position the cover closing element (fig.3 ref.10) on the boom, as indicated in fig. 3. After positioning, drill part 10 and boom using a 2 mm bit. Insert the screw supplied.
- Fix the boom using the bracket (fig.3 ref.4) and the screws and washers supplied as standard, then fix the protection cover (fig.3 ref.8) and finally the screw cover (fig.3 ref.9). Close the protection cover by making the closing element slide over the boom (fig.3 ref.10). **WARNING! The boom must be positioned so as to have the double contour facing down (fig.3 ref.11).**
- Balance the boom as described in relevant paragraph 7.

6.2) Right-hand fitting

Some internal members need to be moved, with reference to fig. 4 and the following procedure:

- A) Fix the box to the foundation base and lock it in position using M12 nuts.
- B) Ensure that the balancing spring is in the opening position (stretched spring - fig.5).
- C) Completely slacken the spring stretcher (fig.4/ref. 2) until the screw (fig. 4/ref.3) anchoring it to the bottom of the box can be removed.
- D) Remove the bar locking bracket (fig.4/ref.4) and slacken the screw (fig. 4/ref.5) by means of a CH19 socket spanner until the lever can be rotated (fig.4/ref.6).
- E) Rotate the lever (fig.4/ref.6) by 180° and fasten it into the correct position.

tion.

- F) Tighten the tie rod (fig. 4/ref.5) blocking the lever (fig.4/ref.6) by means of a torque wrench set at about 80 N/m.
- G) Bring the release key (fig.6) to the manual operation position and manually rotate the lever (fig.4/ref.6) downwards by 90° (fig.7) so as to bring the barrier to the right-hand opening position.
- H) Lock the spring stretcher (fig.4/ref.2) into position (fig.4/ref.Dx) with the screw and self-locking nut.
- I) Adjust the spring stretcher (fig.4/ref.2) until the spring comes under tension.
- L) Refit and partially fix the U bolt (fig.4/ref.4) holding the bar to the actuator in the opening position.
- M) The installation of the MOOVI PRM antishearing Kit (optional) is easier when carried out before fitting the boom to the operator. Make reference to Fig.18 and paragraph 6.4 for correct fitting of the MOOVI PRM Kit, then proceed to fit the boom. Fit the boom in its opening position (vertical) as indicated in fig.3, ref.7. The operator balancing is pre-calibrated for the nominal boom in the opening position (balancing spring stretched). Position the cover closing element (fig.3 ref.10) on the boom, as indicated in fig. 3. After positioning, drill part 10 and boom using a 2 mm bit. Insert the screw supplied. Fix the boom using the bracket (fig.3 ref.4) and the screws and washers supplied as standard, then fix the protection cover (fig.3 ref.8) and finally the screw cover (fig.3 ref.9). Close the protection cover by making the closing element slide over the boom (fig.3 ref.10). **WARNING! The boom must be positioned so as to have the double contour facing down (fig.3 ref.11).**
- N) Carry out bar balancing as described in paragraph 7.
- O) Invert the limit switch connections and the motor drive connections inside the control unit (Fig. 19), with reference to the instructions regarding the existing control unit. Fig.8 shows a diagram highlighting the connections to be inverted.

6.3) Fitting of the metal mass detector device

A DIN bar, which allows the DIN module to be connected, is fitted to the versions suitable for the use of a mass detector. For connection, refer to the relevant instruction manual. In the case where the bar balancing device hinders the adjustment of this device (left-hand barrier), remove it from its socket, carry out the adjustment and then reposition it.

6.4) Fitting of MOOVI PRM antishearing Kit (Fig.16)

- 1) Remove the rubber plugs.
- 2) Join two pivots "P" to antishearing plate "L" so as to obtain a single body.
- 3) Fix the plate to the box by putting screw M6x20 through the central threaded hole in the box.
- 4) Fix rotation lock screw M6x10 through the side threaded hole in the box.
- 5) The antishearing plate is to be positioned on the boom opening, the lock screw through the remaining hole.
- 6) During subsequent fitting of the cover, the plate must be inserted between two guide pivots "D" fixed by means of screws C. Having completed the fitting procedure, check that the antishearing plate operates correctly. When the barrier is lifted, it must be in the position indicated in Fig.16, ref.7; when the barrier is being closed, the plate must follow the boom movement until it reaches the position indicated in Fig.16, ref.8.

6.5) Assembling the flashing light RADIUS B LTA230 R1/ RADIUS B LTA 230 R2.(FIG.23)

- Complete assembly and wiring as directed in instructions provided for RADIUS B LTA230 R1/ RADIUS B LTA230 R2.

6.6) Photocell fitting (Fig. 24)

The photocell can be installed on the MOOVI barrier as follows:

- 1- By directly fixing the **CELLULA 130** photocell to the side of the barrier (Fig. 24 "A")
- 2- By fastening the **MOOVI 130** photocell post to one of the front fittings (Fig. 24 "B")

A) Cellula 130 fitting

- 1) Remove the protection cover positioned on the barrier.
- 2) Lay the wiring needed for photocell connection.
- 3) Fit the photocell as shown in Fig. 24 A by means of the appropriate screws.

Refer to the instruction sheet for Cellula 130 for further information.

B) MOOVI 130 post fitting

- 1) Remove the protection cover positioned on the barrier.
- 2) Lay the wiring needed for photocell connection.

- 3) Fit post "F" and protection frame "G" as shown in Fig. 24B. The post is fastened from inside the barrier by means of 3 screws (supplied).
- 4) Fit the photocell to the post, as shown in the instruction sheet for Cellula 130.

Refer to the instruction sheet for Cellula 130 for further information.

6.7) Moovi accessories: boom length limits and balancing (Fig.25)

6.7.1) Moovi 30RMM and Moovi 50RMM

All barriers belonging to the MOOVI series are equipped with a hooking bracket with 3 securing points located on the device for boom balancing (Fig. 25 - ref. A points A-B-C).

The ideal securing point for correct balancing of the boom must be chosen according to the barrier type and to the length of the boom and accessories installed.

Tab.1 of Fig.25 shows the weight expressed in kgs by linear meter (kg/m) for each accessory.

When the supporting leg Moovi GA/GAMA is used, it is necessary to calculate the arbitrary weight in Kg/m, using the following formula:

$$\text{Kg/m} = 1,2/L$$

where L stands for the length of the boom.

Then proceed as follows:

- 1) Sum up the total linear weight of the accessories installed (including boom weight).
- 2) Find the crossing point between the length of the boom and the total weight of the accessories on the diagram, making reference to the MOOVI model.
- 3) The point found in this way will indicate the correct hooking point (A-B-C).

Example

MOOVI 50 with:

(boom measuring 4,0m + BIR + GAMA +1PCA).

$$(1,028+0,510+(1,2/4,0)+0,160)= 1,97$$

The crossing point between value 1,97 and boom length equal to 4,0 is within the "A" area of MOOVI 50 graph. "A" hooking point will therefore be suitable for correct boom balancing.

Calibrate the spring as described in paragraph 7.

WARNING!:

The securing points marked with A and B can be used with MOOVI 50RMM only.

The securing point marked with C can be used with MOOVI 30S/30RMM only.

If the point found is within the crossed area that means that installation is not possible and it is necessary to shorten the boom or reduce the number of accessories.

If no accessory is used, only use the weight of the "PA" boom to find the securing point.

6.7.2) Moovi 30S

For **Moovi 30S** model, observe the following:

Max. boom length: 3m

Hooking point: C

Accessories that can be used without shortening the boom: BIR - PCA - Moovi Light

Accessories **that cannot be used: GA/GAMA – SB**

7) BAR BALANCING (Fig.9)

- Activate the emergency release (fig.14).
- Position the bar at about 45° (fig.9). The bar must remain still.
- If the bar tends to open, unload the spring by operating on the "T" tie rod.
- If the bar tends to close, load the spring by operating on the "T" tie rod.
- In both cases, load or unload the spring until the bar remains still at about 45°.
- Reset the motorised operation by rotating the release key to the opposite direction (fig.14).

WARNING! During the closing operation, the balancing spring must never be reduced to a pack (be totally compressed). Fig.9 indicates the position where the minimum value of the compressed spring is measured with the rod in the opening (vertical bar) position.

8) ELECTRICAL INSTALLATION SET-UP

WARNING: before opening the door, make sure that the spring has been unloaded (rod at 43°). Set up the electrical installation (fig. 10) with reference to the current regulations for electrical installations CEI64-8, IEC364, in conformity with HD384 and other national standards. Keep the mains power supply connections definitely separate from the service connections (photocells, electric edges, control devices etc.).

Warning! For connection to the mains, use a multipolar cable having minimum 3x1.5mm² cross section and complying with the previously mentioned regulations (for example, if the cable is not protected, it

must be at least equal to H07 RN-F, whereas if it is protected it must be at least equal to H07 VV-F with a 3x1.5 sq mm² cross section).

Connect the control and safety devices in conformity with the previously mentioned installation standards. Fig.10 shows the number of connections and section for a 100m length of power supply cables; for greater lengths, calculate the section for the true automation load. When the auxiliary connections exceed 50-metre lengths or go through critical disturbance areas, it is recommended to decouple the control and safety devices by means of suitable relays.

The main automation components are (fig.10):

- I)** Type-approved adequately rated omnipolar circuit-breaker with at least 3,5 mm contact opening, provided with protection against overloads and short circuits, suitable for cutting out automation from the mains. Place, if not already installed, a type-approved differential switch with a 0.03A threshold just before the automation system.
- QR)** Control panel and incorporated receiver.
- S)** Key selector.
- AL)** Blinker with tuned antenna.
- M)** Actuators.
- A)** Bar.
- F)** Rest fork.
- CS)** Electric edge.
- CC)** Edge control.
- Ft,Fr)** Pair of photocells.
- CF)** Photocell post.
- T)** 1-2-4 channel transmitter.
- RMM)** Inductive metal mass detector.
- LOOP)** Mass detector loops.

9) LEO-MV-D CONTROL PANEL


Power supply: 220-230V 50/60Hz
 Mains/low voltage insulation: > 2MΩ 500V~
 Dielectric strength: mains/low voltage 3750V~ for 1 minute
 Motor output current: 1.5A max
 Maximum motor power: 750W
 Supply to accessories: 24V~ (1A max absorption)
 Gate-open warning light: 220-230V~ 3W max
 Blinker: 220-230V~ 40W max
 Dimensions: see figure 17
 Fuses: see figure 18

10) TERMINAL BOARD CONNECTIONS (Fig.19)

WARNING – During the wiring and installation operations, refer to the current standards as well as principles of good technical practice.

The cables must be tied by additional fastening next to the terminals, by means of clips for example.

All the operator wiring operations must be carried out by qualified personnel.

- JP1**
 - 1  GND terminal
 - 2-3 Single-phase mains supply 220-230V 50/60Hz (2=N) (3=L)
- JP2**
 - 4-5 Blinker connection (mains voltage) 40W Max.
 - 6-7-8-9 Motor connection:
 - 6 operation 1 + capacitor
 - 7 common (blue)
 - 8 operation 2
 - 9 capacitor
- JP3**
 - 10-11 Output 24V~ 1A max – power supply for photocells or other devices.
 - 12-13 Gate-open warning light output (24V 3W max)
- JP4** **Barrier status output**
 - 20-18 Closed Contact with barrier raised
 - 20-19 Closed Contact with barrier lowered
 Contact switching for barrier status control.
 To be used in Parky systems.
- JP5** Encoder connection
WARNING! The maximum length of the connection cable of the encoder should not exceed 3.00 mt.
- JP8**
 - 21-22 Open-Close button (N.O. Start), key selector.
 - 21-23 Block button (N.C. Stop). If not used, leave jumped.
 - 21-24 Photocell input (N.C.). If not used, leave jumped.
 - 21-25 Opening limit switch connection (N.C. SWO). If not used, leave jumped.
 - 21-26 Closing limit switch connection (N.C. SWC). If not used, leave jumped.

21-27	Not used
21-28	Open-Button connection (N.O. Open)
21-29	Close-Button connection (N.O. Close)
21-30	Rubber edge connection (N.C.). If not used, leave jumped.
21-31	Connection of clock input (N.O.). If the contact connected is open, the barrier closes and gets ready for normal operation. If the contact is closed (N.C.), the barrier opens and remains open until contact opening.

JP9

32	Photocell check input (PHOT FAULT) (see Fig. 19)
33	Electric edge check input (EDGE FAULT) (see Fig. 19)
38-39	Antenna input for radio-receiver (38 signal - 39 braid). Cable RG58.

11) PROGRAMMING

The control panel provided with a microprocessor is supplied with function parameters preset by the manufacturer, suitable for standard installations. The predefined parameters can be altered by means of either the incorporated display programmer or **Universal palmtop programmer**. In the case where programming is carried out by means of **Universal palmtop programmer**, carefully read the instructions relating to **Universal palmtop programmer**, and proceed in the following way.

Connect the **Universal palmtop programmer** to the control unit through the UNIFLAT accessory (See fig. 20). Enter the "CONTROL UNITS" menu, and the "PARAMETERS" submenu, then scroll the display screenfuls using the up/down arrows, and set the numerical values of the parameters listed below.

For the function logics, refer to the "LOGIC" submenu.

In the case where programming is carried out by means of the incorporated programmer, refer to Fig. A and B and to the "configuration" paragraph.

12) CONFIGURATION

The display programmer is used to set all the **LEO MV D** control panel functions.

The programmer is provided with three pushbuttons for menu scrolling and function parameter configurations:

- + menu scrolling/value increment key
- menu scrolling/value reduction key
- OK Enter (confirm) key

The simultaneous pressure of the + and - keys is used to exit the active menu and move to the preceding menu.

If the + and - keys are pressed simultaneously at the main menu level (parameters, logics, radio, language, autosegting), programming is exited and the display is switched off (the OK message is displayed).

The modifications made are only set if the OK key is subsequently pressed. When the OK key is pressed for the first time, the programming mode is entered.

The following pieces of information appear on the display at first:

- Control unit Software version
- Number of total manoeuvres carried out (the value is expressed in thousands, therefore the display constantly shows 0000 during the first thousand manoeuvres)
- Number of manoeuvres carried out since the latest maintenance operation (the value is expressed in thousands, therefore the display constantly shows 0000 during the first thousand manoeuvres)
- Number of memorised radio control devices.

When the OK key is pressed during the initial presentation phase, the first menu (parameters) can be accessed directly.

Here follows a list of the main menus and the respective submenus available.

The predefined parameter is shown between square brackets [0].

The writing appearing on the display is indicated between round brackets.

Refer to Figures A and B for the control unit configuration procedure.

12.1) Parameter Menu (PRR-RN)**1 - Automatic Closing Time (tCR) [10s]**

Set the numerical value of the automatic closing time from 1 to 180 seconds.

2 - Slow-down Distance (cRL) [5]

Set the required slow-down distance for opening and closing between 1 and 90.

NOTE: power failure, reset, or manual gate release, the control panel carries out a complete manoeuvre at reduced speed, in order to learn the length of stroke.

3 - Alarm time (RLRRN, tRE) [30s]

In the case of obstacle detection or photocell engagement, at the end of the time set (ranging from 10s to 240s) the SCA contact is closed. The contact is subsequently opened by the STOP command or by triggering of the closing limit switch. Only active when the SCA Alarm logic is set to OFF.

4 - Zone (ZON) [0]

Set the zone number between a minimum value of 0 and a maximum value of 128. See paragraph 8 on "Serial connection".

5 - Slow-down torque (SLD tORQUE) [99%]

Set the motor torque value during the slow-down phase between 0% and 99%.

6 - Opening torque (OPEN tORQUE) [70%]

Set the motor opening torque value between 1% and 99%.

7 - Closing torque (CL5 tORQUE) [70%]

Set the motor closing torque value between 1% and 99%.

8 - Brake (BRAKE) [52%]

Set the required brake value between 0 and 99%, compatibly with the weight of the rod and the existing stresses.

9 - Encoder (ENCODER) [1]

0: encoder disabled: timed slow-down, obstacle detection function not active. (The encoder can be disconnected).

1: encoder enabled: slow-down and obstacle detection by means of encoder (default).

! WARNING: Check that the impact force value measured at the points established by the EN 12445 standard is lower than that specified in the EN 12453 standard.

! Incorrect sensitivity setting can cause injuries to persons or animals, or damage to things.

10- Type of barrier (BRRE) [1]

0: **MOOVI 30RMM/50RMM** mod. barrier

1: **MOOVI 30S** mod. barrier

2: **BGV** mod. barrier

Factory-preset value, in case of maintenance or malfunctions, check the correspondence between the setting and the barrier model.

With the MOOVI 30RMM/50RMM barrier (0), the following functions are not active:

- slow down

- torque setting (the barrier always works at maximum torque).

With the BGV barrier (2), the following functions are not active:

- slow down

- torque setting (the barrier always works at maximum torque).

obstacle detection.

12.2) Logic Menu (LOGIC)**- TCA (tCR) [ON]**

ON Activates automatic closing

OFF Excludes automatic closing

- 3 Steps (3 STEP) [ON]

ON Enables 3-step logic. A start impulse has the following effects:

barrier closed: opens

on opening: stops and enters TCA (if configured)

barrier open: closes

on closing: stops and reverses movement

after stopping: opens

OFF Disables 3-step logic

- Opening Impulse lock (OIL OPEN) [ON]

ON The Start impulse has no effect during the opening phase.

OFF The Start impulse becomes effective during the opening phase.

- Impulse lock TCA (OIL tCR) [OFF]

ON The Start impulse has no effect during the TCA dwell period.

OFF The Start impulse becomes effective during the TCA dwell period.

- Pre alarm (PRE-ALAR) [OFF]

ON The blinker comes on about 3 seconds before the motor starts.

OFF The blinker comes on at the same time as the motor starts.

- Photocells on opening (PHOTC. OPEN) [ON]

ON: In case of obscuring, this excludes photocell operation on opening. During the closing phase, it immediately reverses the motion.

OFF: In case of obscuring, the photocells are active both on opening and on closing. When a photocell is obscured on closing, it reverses the motion only after the photocell is disengaged.

- Rapid closing (FR5E tL5) [OFF]

ON: Closes barrier after photocell disengagement, before waiting for the end of the TCA (automatic closing time) set.

OFF: Command not entered.

- SCA Alarm (SCA ALAR) [ON]

ON: The SCA contact (terminals 12-13) behaves as follows:

with barrier open and on opening:.....contact closed (warning light on)

with barrier closed:contact open.....(warning light off)

on closing:.....intermittent contact (blinking)

OFF: The SCA contact closes according to the modes set by the Alarm Time parameter.

- Master/Slave (MSL) [OFF]

ON: The control panel is set as Master in a centralised connection (see Paragraph 7).

OFF: The control panel is set as Slave in a centralised connection (see Paragraph 7).

- Photocell test (tE5t Phot) [OFF]

ON: Activates photocell check (see Fig. 3)

OFF: Deactivates photocell check

- Electric edge test (tE5t bRr) [OFF]

ON: Activates electric edge check (see Fig. 3)

OFF: Deactivates electric edge check

- Fixed code (F iHEd codE) [OFF]

ON: The receiver is configured for operation in fixed-code mode, see paragraph on "Radio Transmitter Cloning".

OFF: The receiver is configured for operation in rolling-code mode, see paragraph on "Radio Transmitter Cloning".

- Radio transmitter programming (rRd id Prou) [ON]

ON: This enables transmitter storage via radio:

1 – First press the hidden key (P1) and then the normal key (T1, T2, T3 or T4) of a transmitter already memorised in standard mode by means of the radio menu.

2 – Within 10s press the hidden key (P1) and the normal key (T1, T2, T3 or T4) of a transmitter to be memorised.

The receiver exits the programming mode after 10s, other new transmitters can be entered before the end of this time.

This mode does not require access to the control panel.

OFF: This disables transmitter storage via radio.

The transmitters can only be memorised using the appropriate Radio menu.

12.3) Radio Menu (rRd id)

- Add start (Rdd 5tRrE)

Associates the required key to Start command

- Read (rERd)

Checks one key of a receiver; if stored it displays a message showing the receiver number in the memory location (from 01 to 64), and the key number (T1, T2, T3 or T4).

- Eliminate list (ErER5E 54)

WARNING! Completely removes all memorised radio control devices from the receiver memory.

- Receiver code reading (rH codE)

This displays the code entered in the receiver.

12.4) Language Menu (LAnGUAGE)

Allows you to set the language on the display programmer.

5 languages are available:

- ITALIAN (tA)

- FRENCH (FrA)

- GERMAN (dEL)

- ENGLISH (EnG)

- SPANISH (ESp)

12.5) MENU DEFAULT (dEFFALt)

Restores the preset default values on the control unit. After restoring, a new autose operation must be carried out.

12.6) DIAGNOSTICS AND MONITORING

The display on the **LEO MV D** panel shows some useful information, both during normal operation and in the case of malfunctions.

Diagnostics:

In the case of malfunctions, the display shows a message indicating which device needs to be checked:

STRT = START input activation

STOP= STOP input activation

PHOT = PHOT input activation

FLT = FAULT input activation for checked photocells

SWO = input activation OPENING LIMIT SWITCH

SWC = input activation CLOSING LIMIT SWITCH

OPEN = OPEN input activation

CLS = CLOSE input activation

BAR = input activation SAFETY EDGE

TIME = TIMER input activation

In the case where an obstacle is found, the **LEO MV D** panel stops the door and activates a reverse manoeuvre; at the same time the display shows the "BAR" message.

12.7) Statistics

Having connected the [Universal palmtop programmer](#) to the control unit, enter the CONTROL UNIT / STATISTICS menu and scroll the screenful showing the statistical parameters:

- Board microprocessor software version.

- Number of cycles carried out. If motors are replaced, count the number of manoeuvres carried out up to that time.

- Number of cycles carried out from the latest maintenance operation.

It is automatically set to zero after each self-diagnosis or parameter writing.

- Date of latest maintenance operation. To be updated manually from the appropriate menu "Update maintenance date".

- Installation description. 16 characters can be entered for installation identification.

13) CONNECTION TO PARKY CAR-PARK MANAGEMENT SYSTEM

The board is provided with an output (terminal JP4) for controlling the barrier status, configured as follows (Fig.22):

contact **closed** between terminals **19 and 20** with barrier **lowered**

contact **closed** between terminals **18 and 20** with barrier **raised**.

14) SERIAL CONNECTION USING SCS1 BOARD (Fig.21)

The **LEO-MV-D** control panel allows several automation units (SCS1) to be connected in a centralised way by means of appropriate serial inputs and outputs. This makes it possible to use one single command to open and close all the automation units connected.

Following the diagram in Fig.21, proceed to connecting all the **LEO-MV-D** control panels, exclusively using a telephone-type line.

Should a telephone cable with more than one pair be needed, it is indispensable to use wires from the same pair.

The length of the telephone cable between one appliance and the next must not exceed 250 m.

At this point, each of the **LEO-MV-D** control panels must be appropriately configured, by setting a MASTER unit first of all, which will have control over all the others, to be necessarily set as SLAVE (see logic menu).

Also set the Zone number (see parameter menu) between 0 and 127.

The zone number allows you to create groups of automation units, each one answering to the Zone Master unit. **Each zone can only be assigned one Master unit, the Master unit in zone 0 also controls the Slave units in the other zones.**

14.1) Opposite Barriers (Fig.21A)

Only with 3.7 or later microprocessor version.

By means of a serial connection, it is also possible to obtain centralised control of two opposite barriers/gates.

In this case, the Master M1 control panel will simultaneously manage closing and opening for the Slave M2 control panel.

SETTING REQUIRED FOR OPERATION:

- MASTER board: ZonE=128, R5tEr=ON

- SLAVE board: ZonE=128, R5tEr=OFF

WIRING REQUIRED FOR OPERATION:

- The MASTER and SLAVE control units are interconnected through the 4 wires (RX/TX) for the SCS1 interface boards;

- All the activation controls, as well as the remote controls must refer to the MASTER board;

- All the photocells (checked or unchecked) must be connected to the MASTER control panel;

- The safety edges (checked or unchecked) of the MASTER leaf must be connected to the MASTER control unit;

- The safety edges (checked or unchecked) of the SLAVE leaf must be connected to the SLAVE control unit.

15) LIMIT SWITCH SETTING

WARNING: before opening the door, make sure that the spring has been unloaded (rod at 43°). The barrier is provided with electrical limit switches and end-of-stroke mechanical stop devices. There must be a rotation margin (about 1°) on closing and opening between the electrical limit switches and mechanical stop devices (fig.11). The adjustment is carried out as follows:

- Activate the manual release, bring the bar to its completely open position (perfectly vertical).

- Manually advance the bar by about 2° with respect to the vertical position.

- Set the opening microswitch (fig.12 ref. SWO) by loosening the dowel (fig. 13 ref. G) and moving the cam (fig.13 ref. C) until the microswitch trip is heard (or checking that the respective control unit LED switches off).

- Manually bring the bar to its completely closed position resting onto the fork (fig.11 ref. F). Check that the bar is perfectly horizontal using a level (fig.11 ref. L).

- Set the closing microswitch (fig.12 ref. SWC) by loosening the dowel (fig.13 ref. G) and moving the cam (fig.13 ref. C) until the microswitch trip is heard (or check that the respective control unit LED switches off).

- Set the closing microswitch (fig.12 ref. SWC) so that the bar stops a few millimeters before hitting the fork (fig.11 ref. F).

- Activate the motorised operation and run a few cycles.

- Check that the electrical limit switch stops the bar before it reaches its vertical open position.

- Check that the electrical limit switch stops the bar before it reaches its

horizontal closed position on the "F" fork.

- If necessary, adjust the position of the "C" cams (fig.13) which control the end-of-stroke devices.

16) EMERGENCY RELEASE (Fig.14)

The emergency release allows the bar to be manoeuvred manually. It is activated from the outside of the box by inserting the personalised key into the lock placed under the bar and rotating it anticlockwise by 180°.

WARNING! When an actuator without bar needs to be released, ensure that the balancing spring is not compressed (bar in the opening position).

17) USE OF AUTOMATION

As automation can be remotely controlled and therefore not within sight, it is essential to frequently check that all safety devices are perfectly efficient.

WARNING! In case of any malfunction in the safety devices, take immediate action and require the assistance of a specialised technician.

It is recommended to keep children at a safe distance from the automation field of action.

18) CONTROL

The automation system is used to obtain motorised access control. There are different types of control (manual, remote, magnetic badge, mass detector etc.) depending on the installation requirements and characteristics. For the various control systems, see the relevant instructions.

19) MAINTENANCE

WARNING: before opening the door, make sure that the spring has been unloaded (rod at 43°). **WARNING:** Before carrying out any maintenance to the installation, disconnect the mains power supply. The following points need checking and maintenance:

- Photocell optics. Clean occasionally.
- Electric edge. Carry out a periodical manual check to ensure that the edge stops the bar in case of obstacles.
- Dismantle the gearmotor and replace the lubricating grease every two years.
- When any operational malfunction is found, and not resolved, disconnect the mains power supply and require the assistance of a specialised technician (installer). When automation is out of order, activate the emergency release (see paragraph "11") so as to release the manual bar opening and closing operations.

20) SCRAPPING

Materials must be disposed of in conformity with the current regulations. In case of scrapping, the automation devices do not entail any particular risks or danger. In case of recovered materials, these should be sorted out by type (electrical components, copper, aluminium, plastic etc.).

21) DISMANTLING

WARNING: before opening the door, make sure that the spring has been unloaded (rod at 43°). When the automation system is disassembled to be reassembled on another site, proceed as follows:

- Disconnect the power supply and the entire electrical installation.
- Remove the actuator from its fixing base.
- Disassemble all the installation components.
- In the case where some of the components cannot be removed or are damaged, they must be replaced.

22) MALFUNCTION: CAUSES and REMEDIES

22.1) The bar does not open. The motor does not turn.

WARNING: before opening the door, make sure that the spring has been unloaded (rod at 43°).

- 1) Check that the photocells are not dirty, or engaged, or not aligned. Proceed accordingly. Check the electric edge.
- 2) If the engine is overheated, the thermal protection might have been activated. Wait for it to be reset.
- 3) Check the correct connection of the drive motor and capacitor.
- 4) Check that the electronic appliance is correctly supplied. Check the integrity of the fuses.
- 5) Use the control unit self-diagnosis (see par. 11.6), to check whether the functions are correct. Identify any possible cause for the fault. If self-diagnosis indicates that a start command persists, check that there are no radio transmitters, start buttons or other control devices keeping the start contact activated (closed).
- 6) If the control unit does not work, it must be replaced.
- 7) Check the movement of the cam-holder bars (fig. 13), if it is not smooth, the bars must be lubricated.

22.2) The bar does not open. The motor turns but there is no movement.

- 1) The manual release was left engaged. Reset the motorised operation.
- 2) If the release is in the motorised operation position, check the gearmotor for integrity.

WARNINGS

Correct controller operation is only ensured when the data contained in the present manual are observed. The company is not to be held responsible for any damage resulting from failure to observe the installation standards and the instructions contained in the present manual.

The descriptions and illustrations contained in the present manual are not binding. The Company reserves the right to make any alterations deemed appropriate for the technical, manufacturing and commercial improvement of the product, while leaving the essential product features unchanged, at any time and without undertaking to update the present publication.

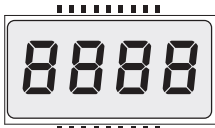
Fig. A

ACCESS TO MENUS

Press the OK key
OK

Control unit software version
 No. total manoeuvres (in hundreds)
 No. manoeuvres since latest maintenance (in hundreds)
 No. radio control devices memorised

LEGENDA



+ → + / -
 - → - / +
 → OK

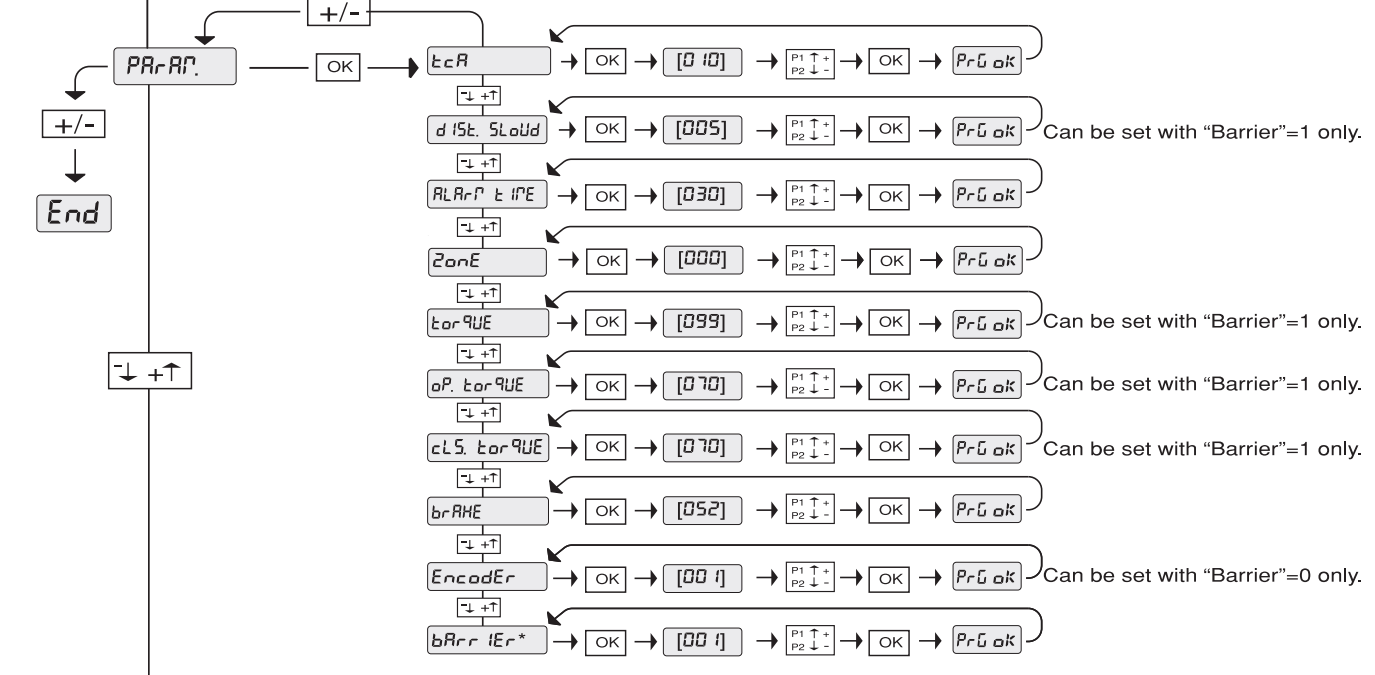
[00] Preset value
 + / ON
 - / OFF
 Parameter increment/reduction or ON/OFF commutation

OK Press OK key (Enter/confirm)

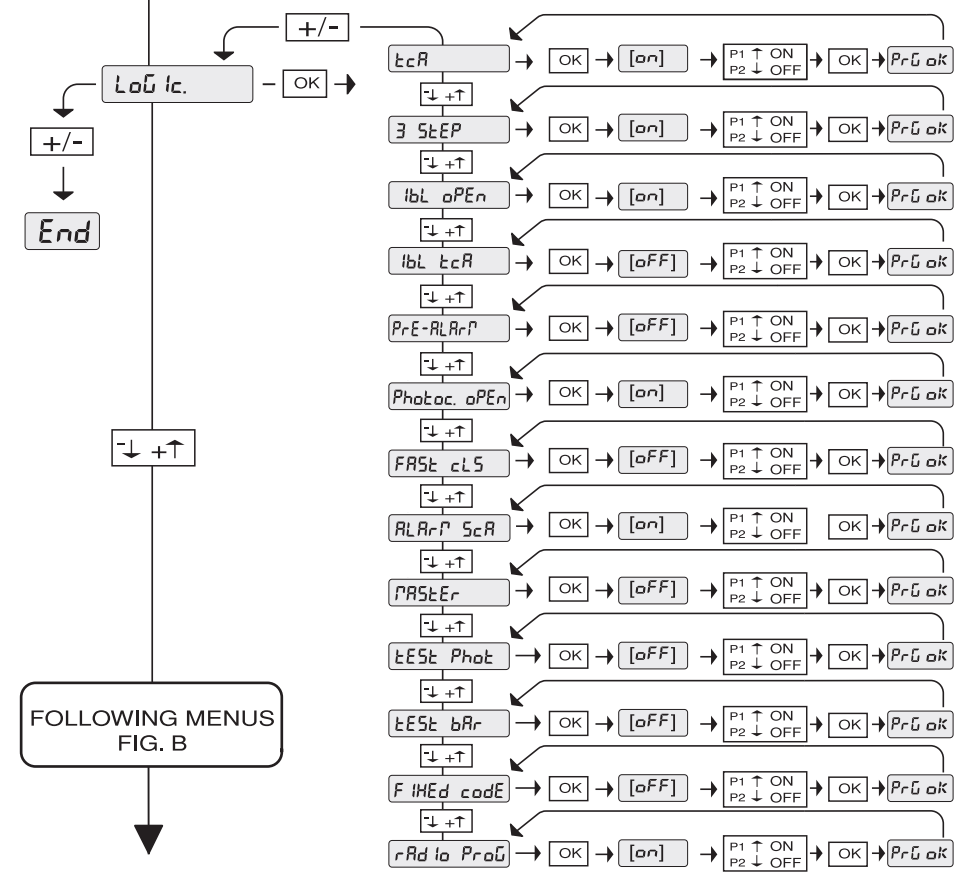
- +
 Menu scrolling (+ = preceding - = following)

+/- Simultaneously press the + and - keys. Simultaneous pressure of the + and - keys allows you to exit the active menu and return to the preceding menu; if this takes place at the main menu level, programming is exited and the display switched off. The modifications made are only confirmed if the OK key is subsequently pressed.

PrU ok OK! message (confirms modification made)
PrU kO KO! message (value or function error)
-< "Wait" message (enter value or function)



* [0] = MOOVI 30RMM/50RMM
 [!] = MOOVI 30S
 [2] = BGV



FOLLOWING MENUS
FIG. B

Fig.B

D811480_07

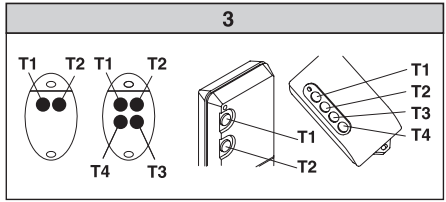
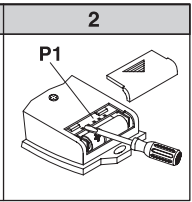
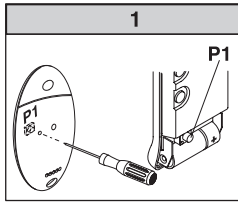
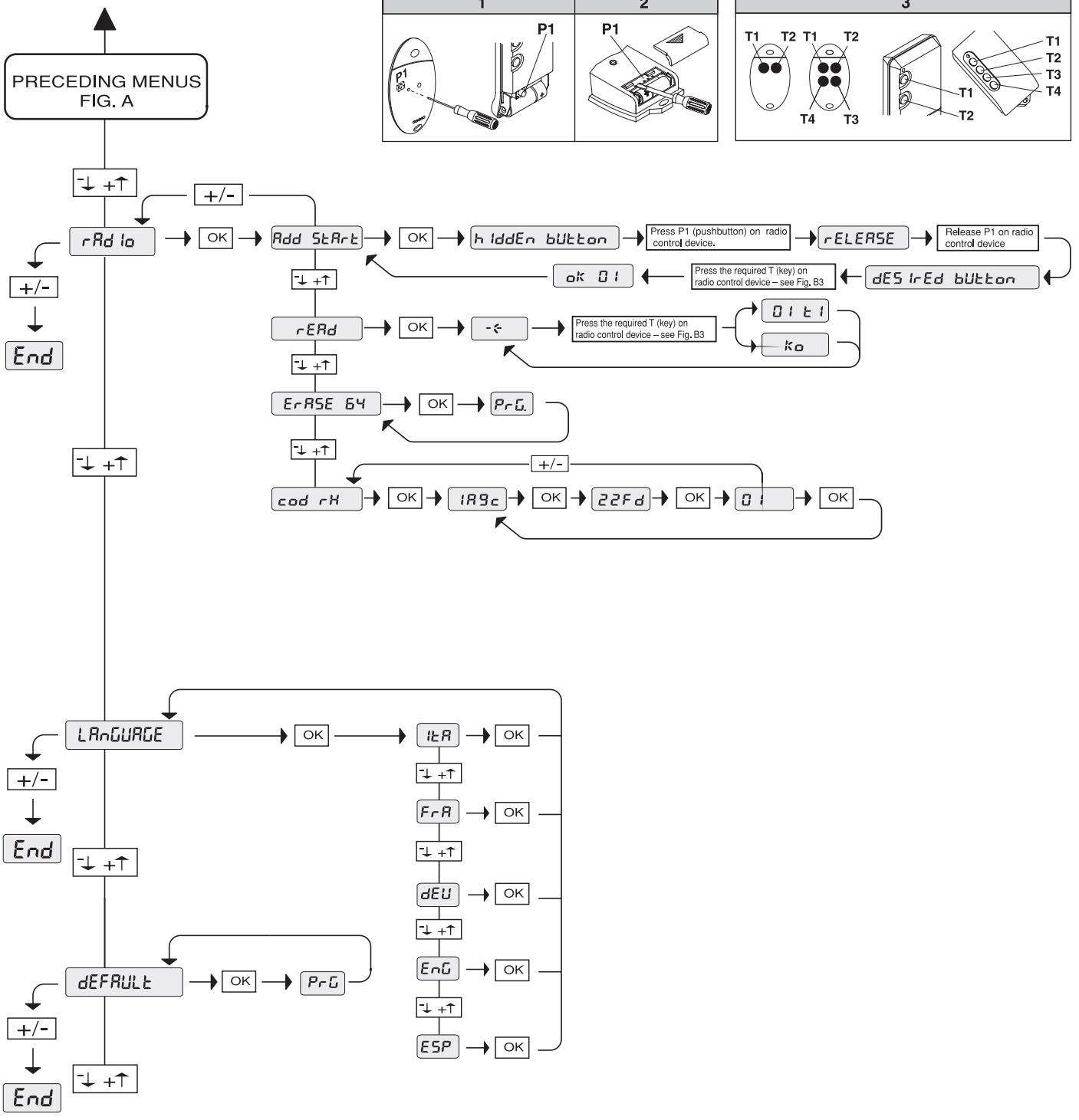


Fig. 1

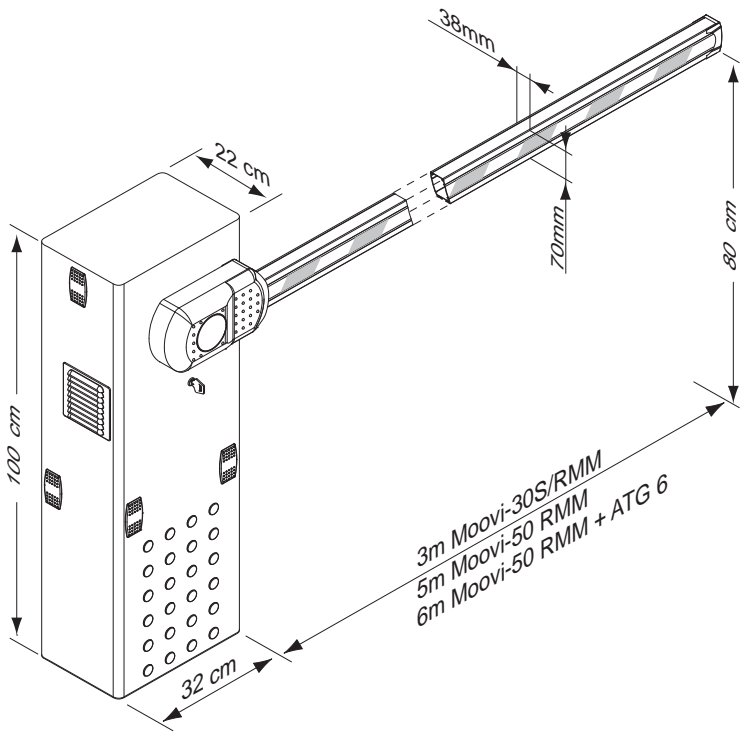


Fig. 2

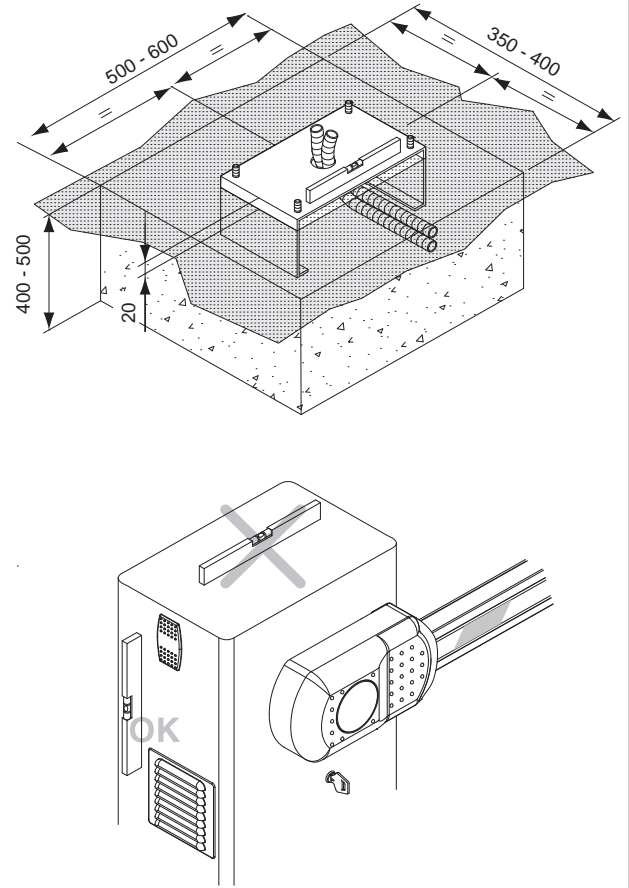


Fig. 3

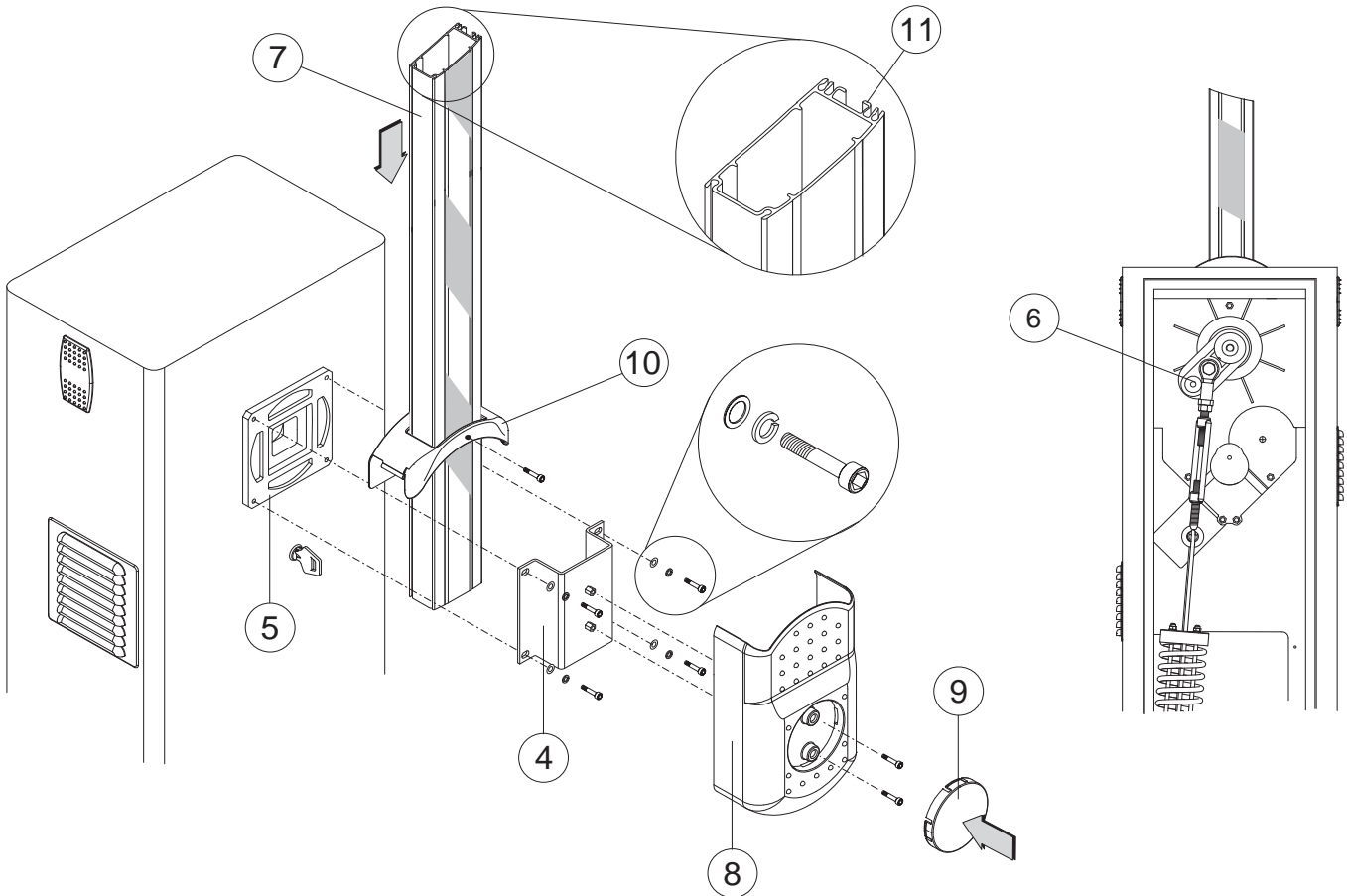


Fig. 4

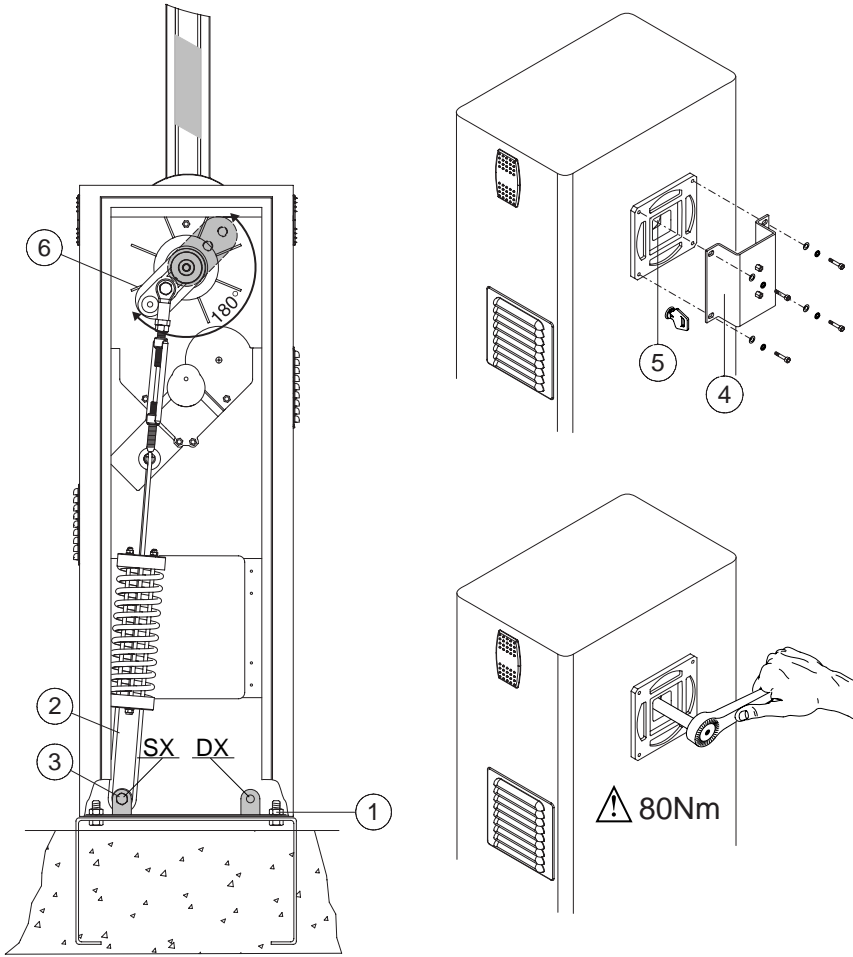


Fig. 5

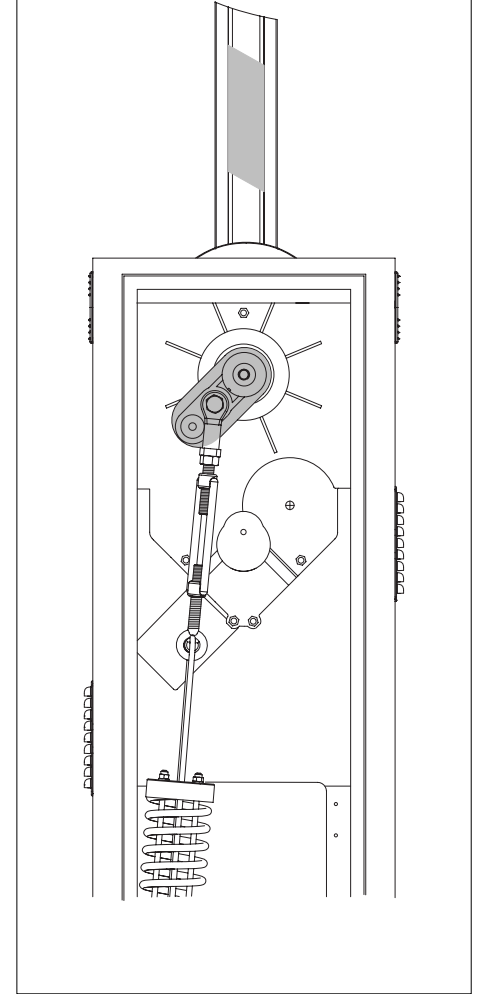
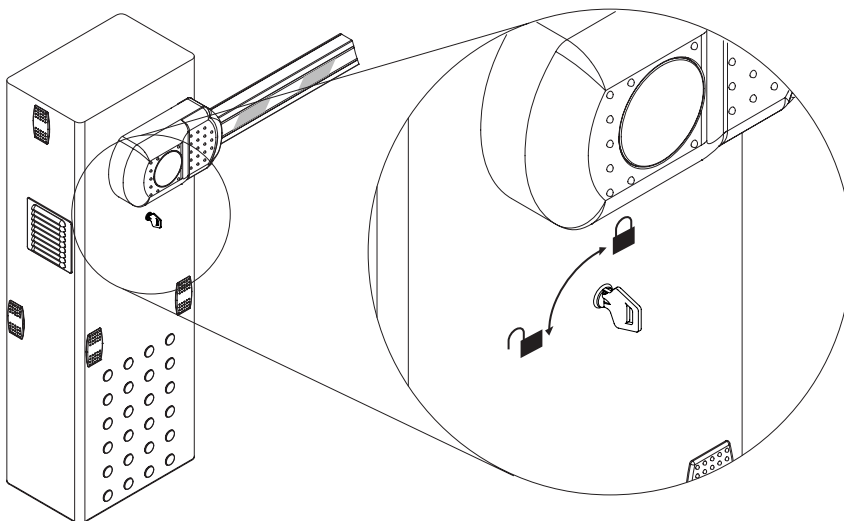


Fig. 6





- 
 MANUALE - MANUAL - MANUEL
 BEDIENUNGSANLEITUNG - MANUAL - MANUAL
- 
 AUTOMATICO - AUTOMATIC - AUTOMATIQUE
 AUTOMATIK - AUTOMÁTICO - AUTOMÁTICO

Fig. 7

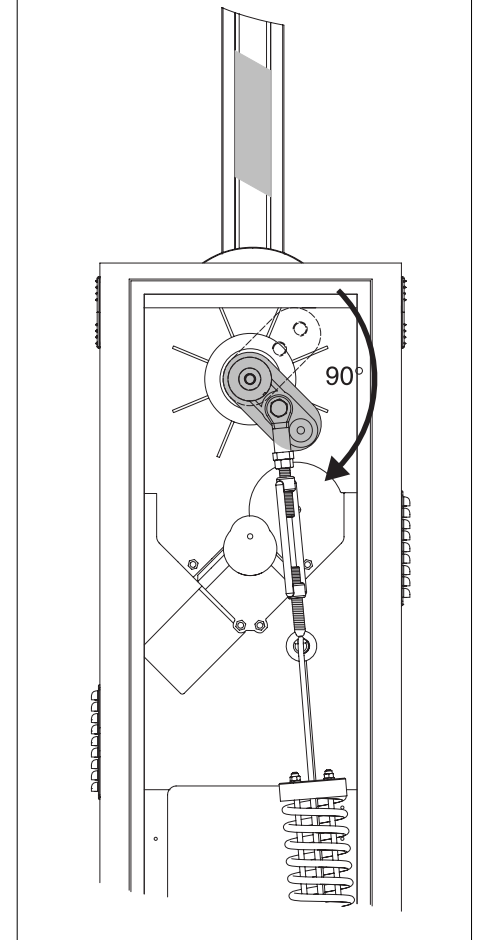


Fig. 8

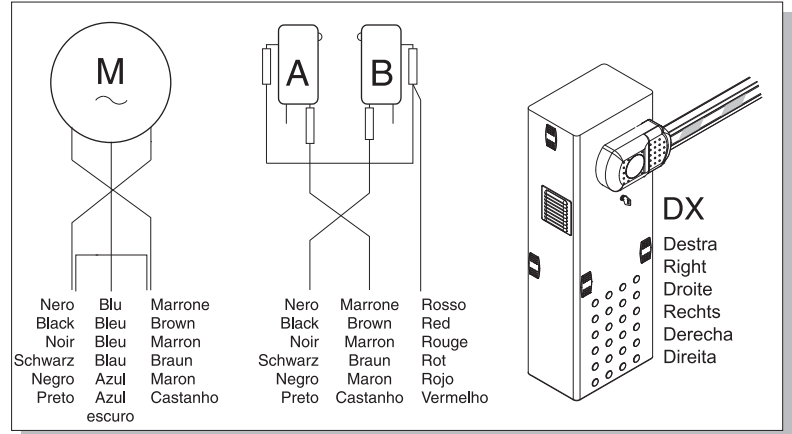
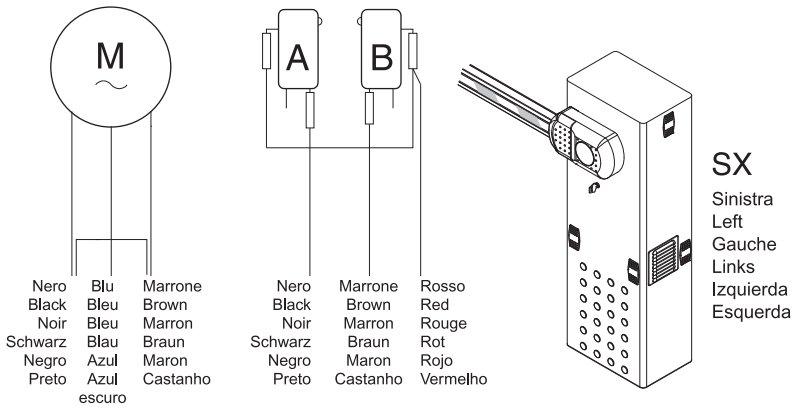


Fig. 9

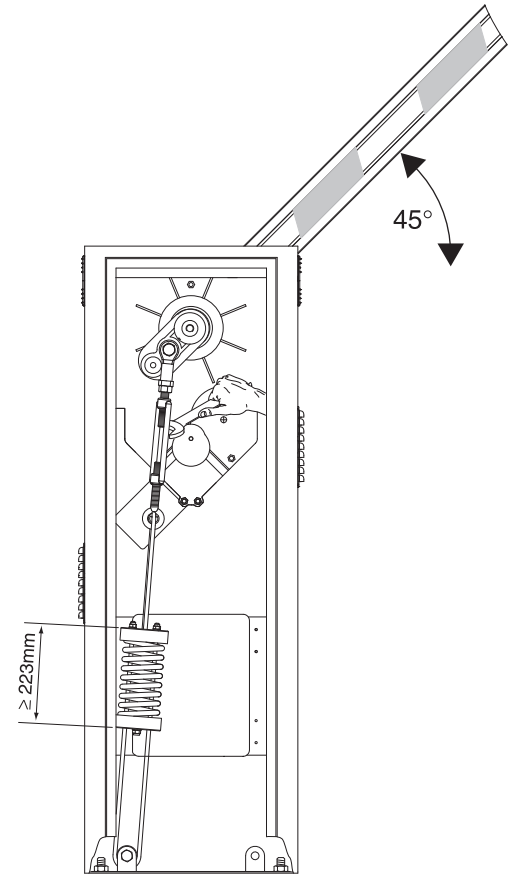


Fig. 10

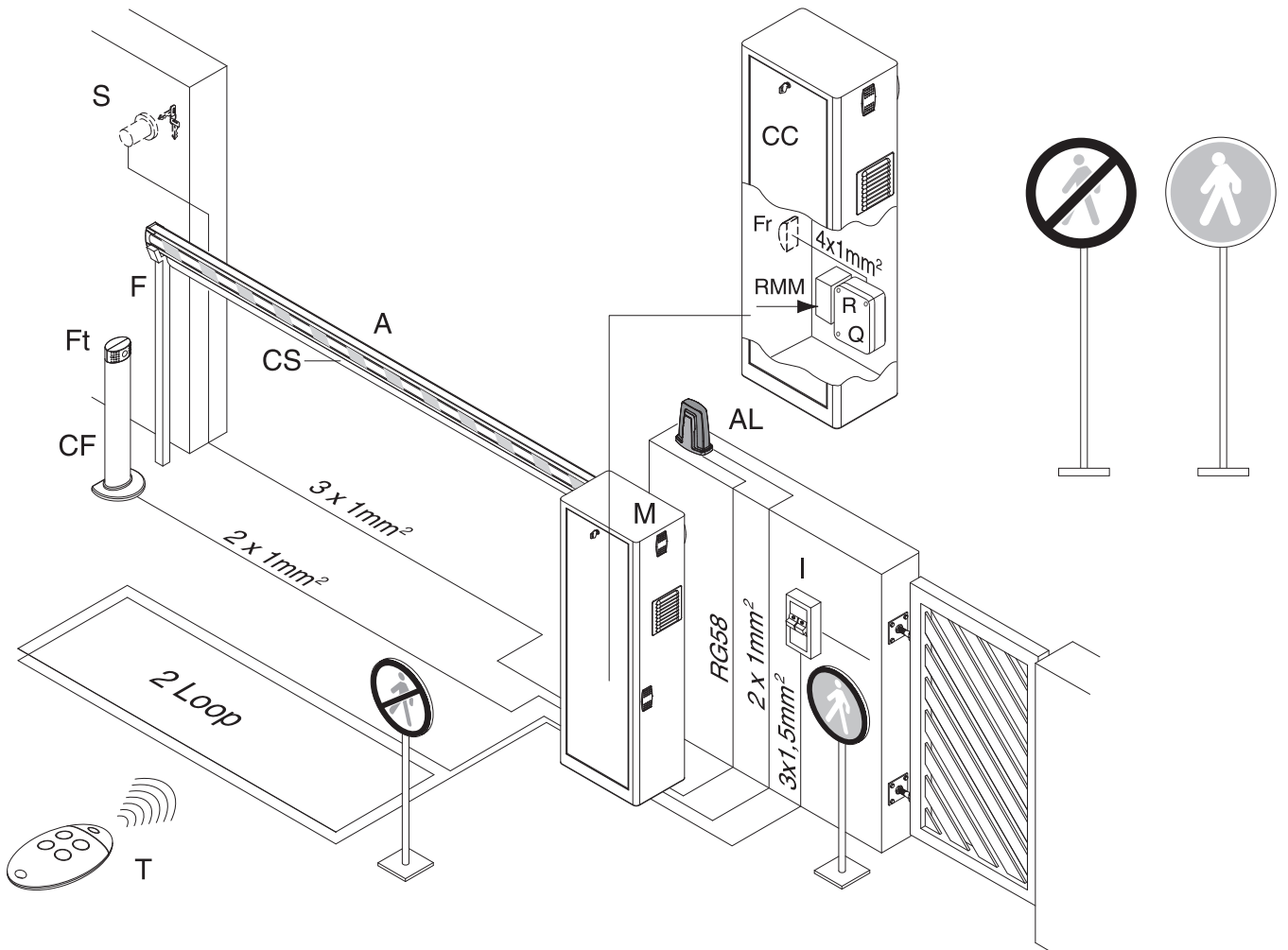


Fig. 11

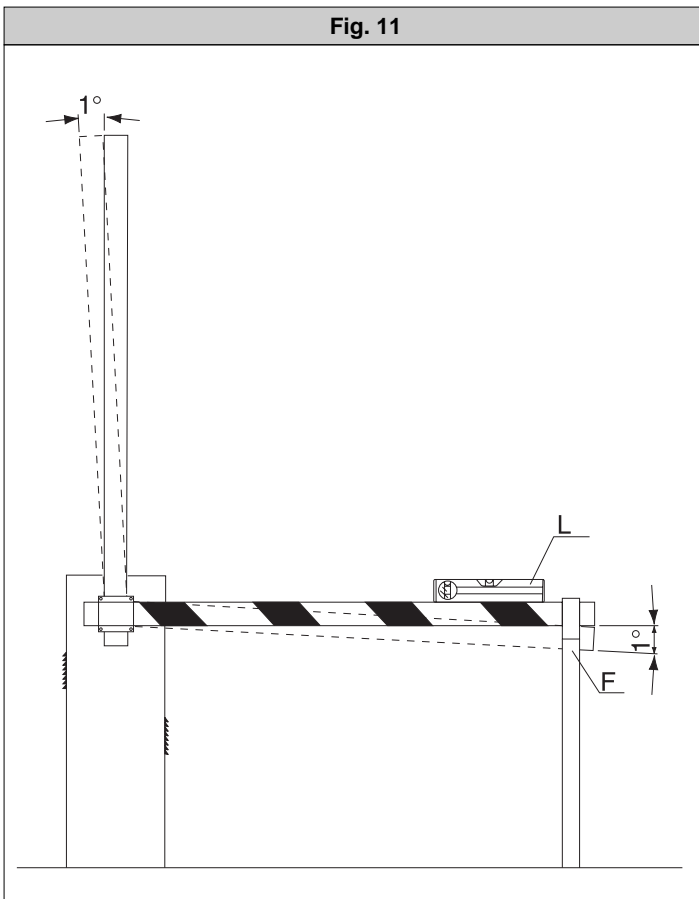


Fig. 12

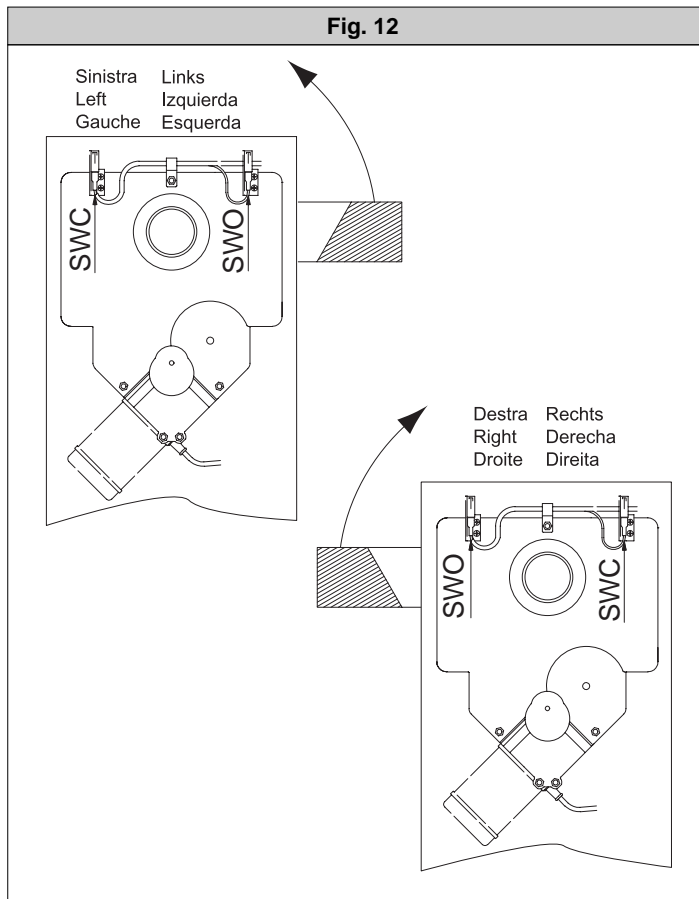


Fig. 13

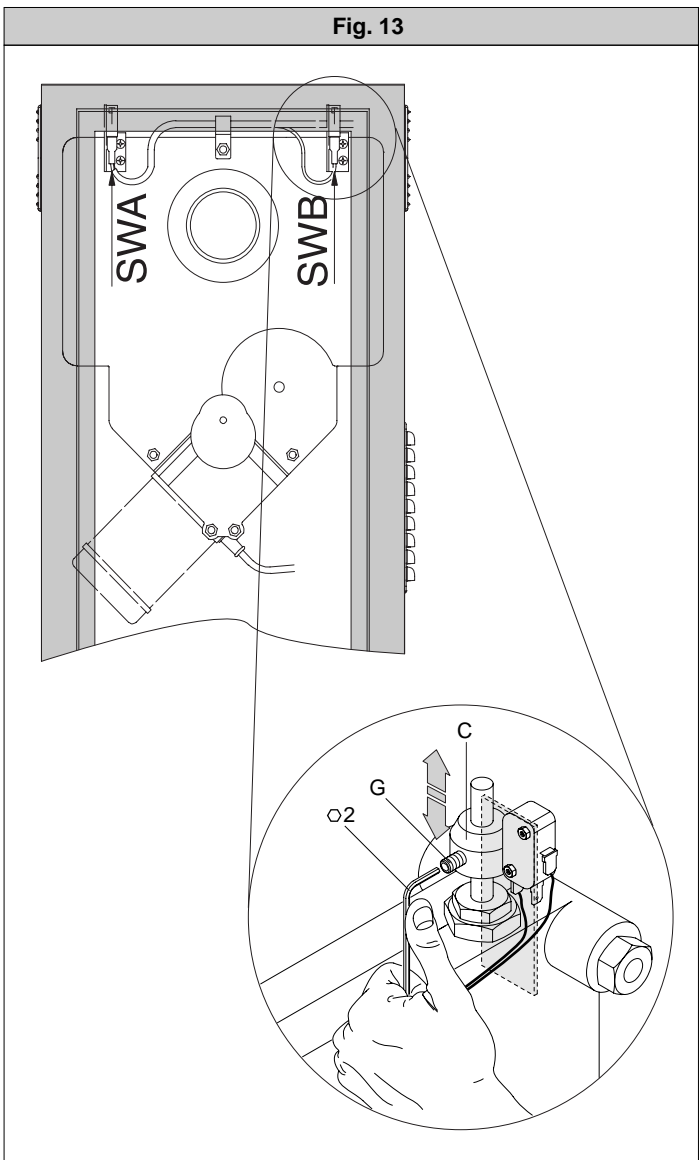


Fig. 14

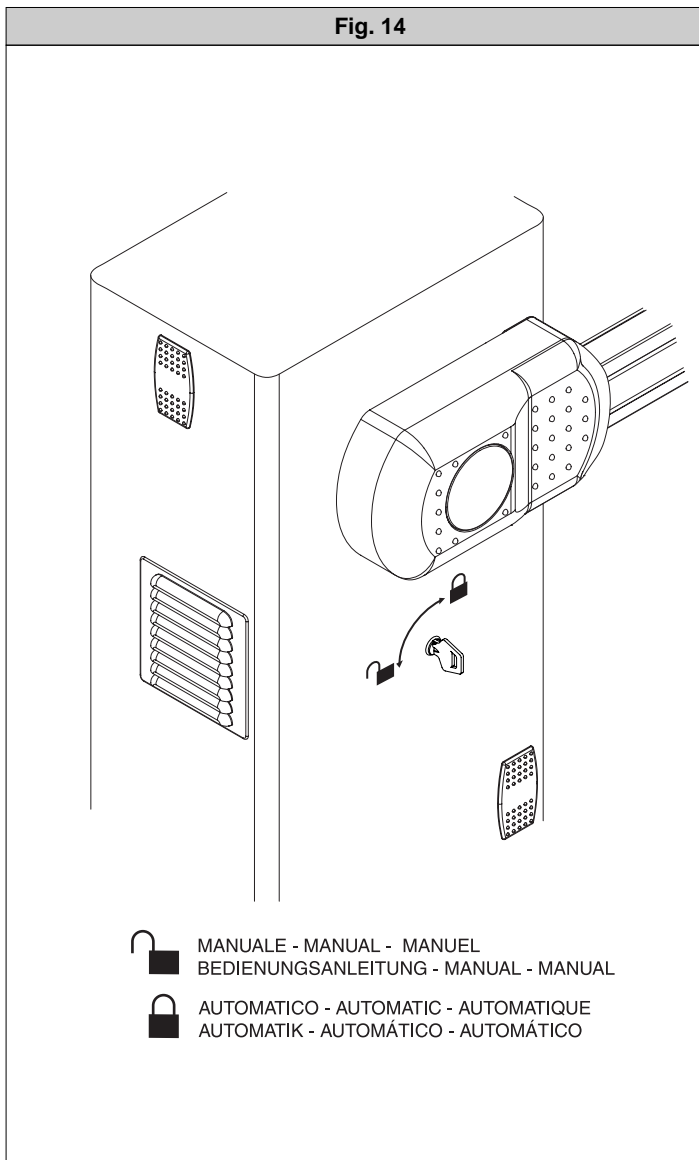


Fig. 15

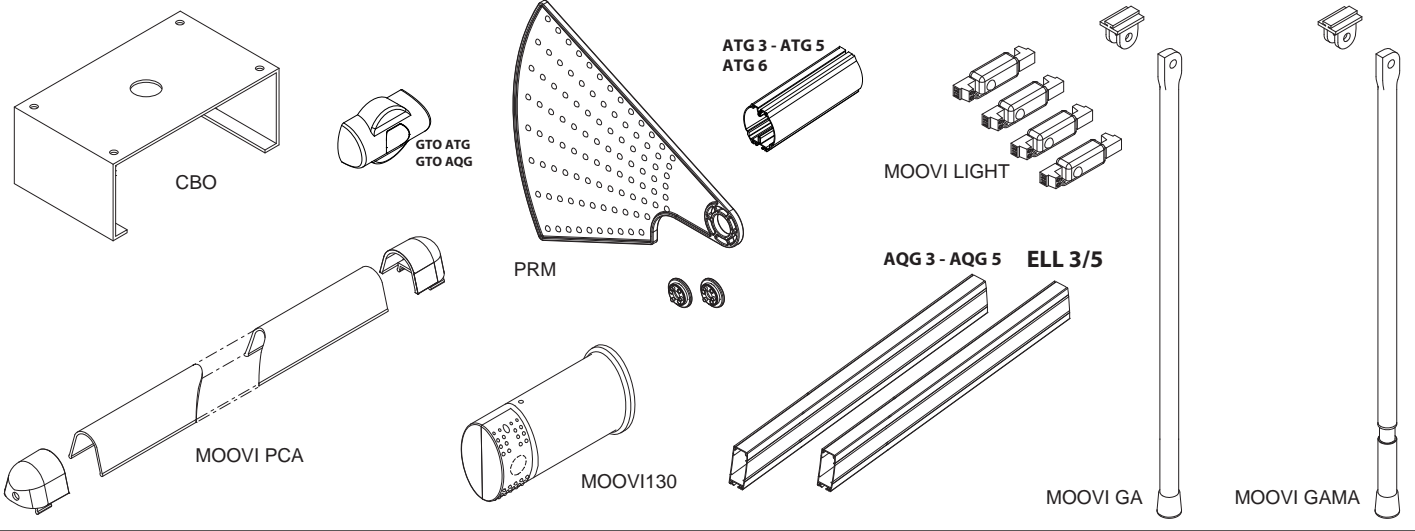


Fig. 16

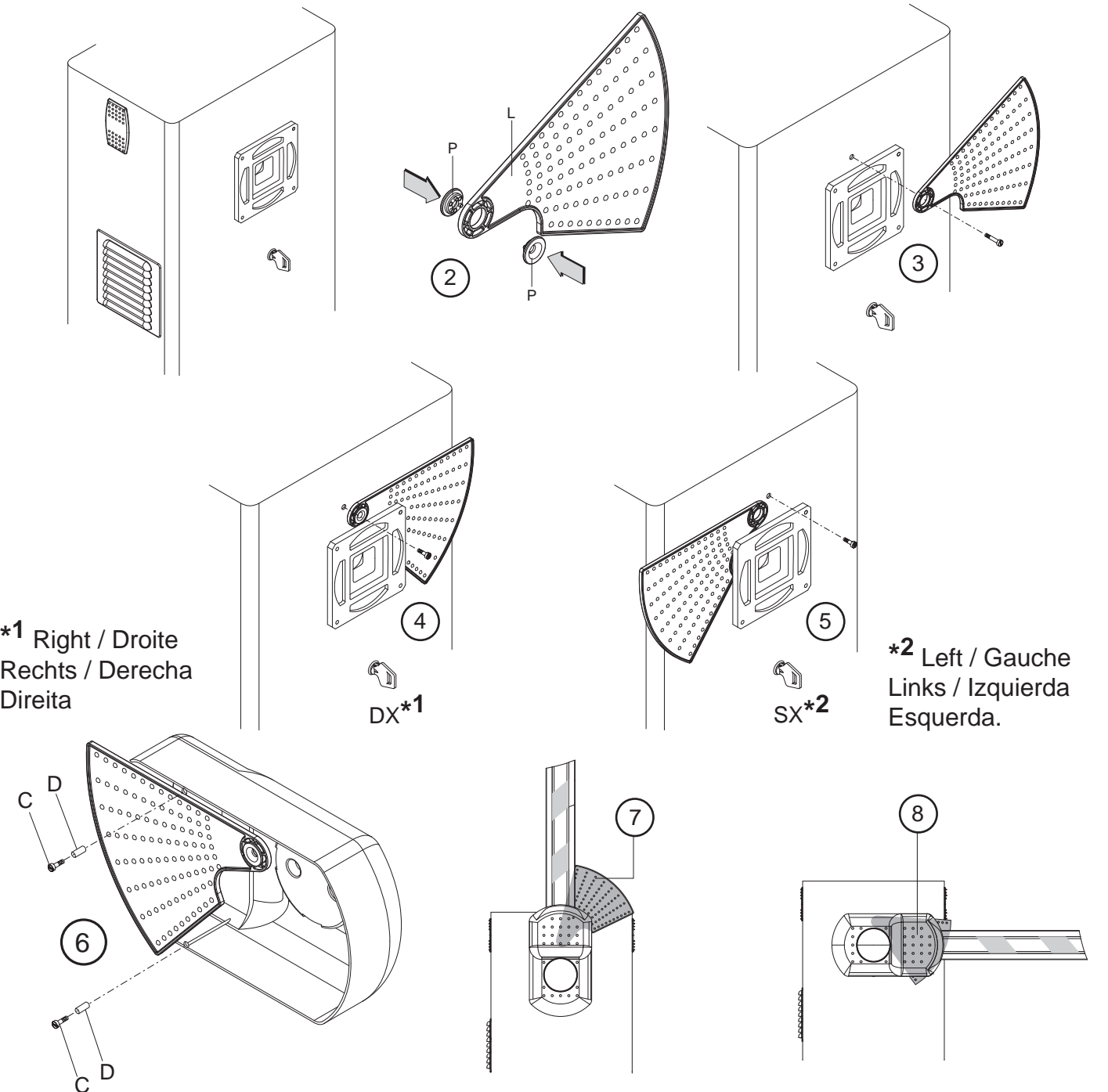


Fig. 17

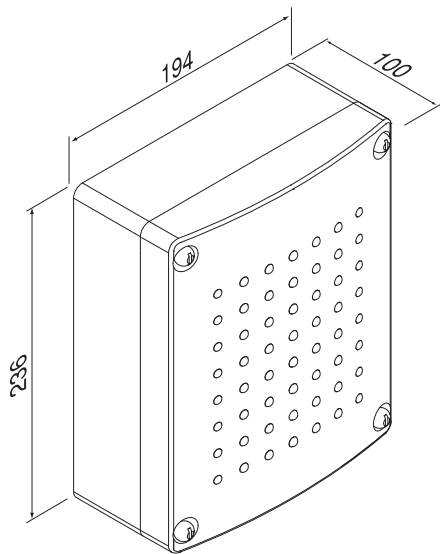


Fig. 18

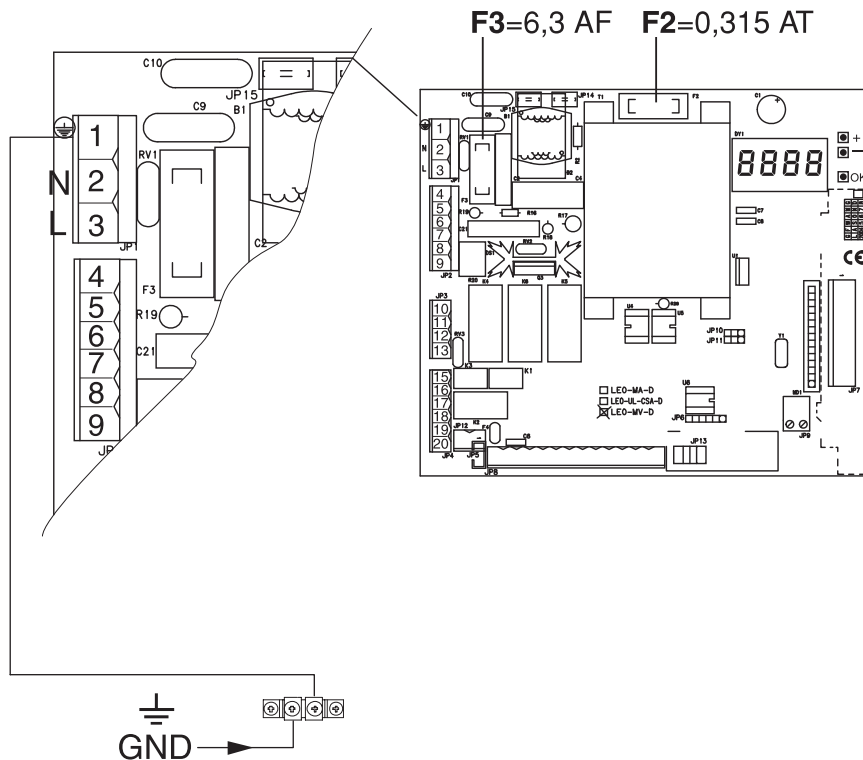
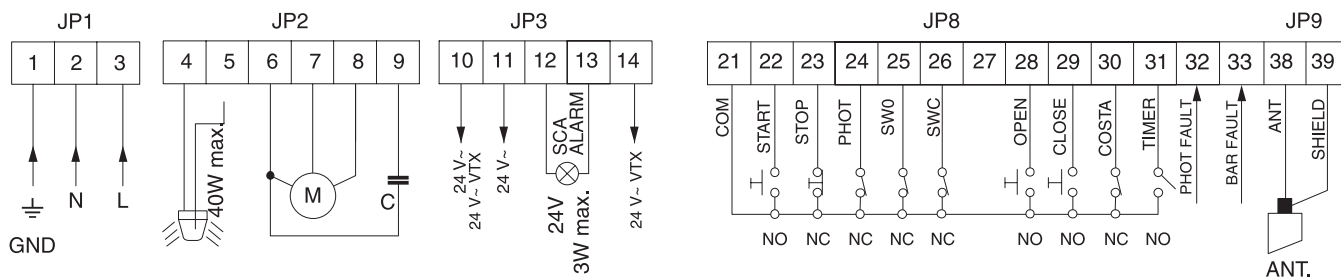


Fig. 19



Collegamento dispositivi di sicurezza verificati, Connection of tested safety devices, Connexion des dispositifs de sécurité vérifiés, Anschluß geprüfte Sicherheitsvorrichtungen, Conexión de los dispositivos de seguridad controlados, Ligação de dispositivos de segurança controlados

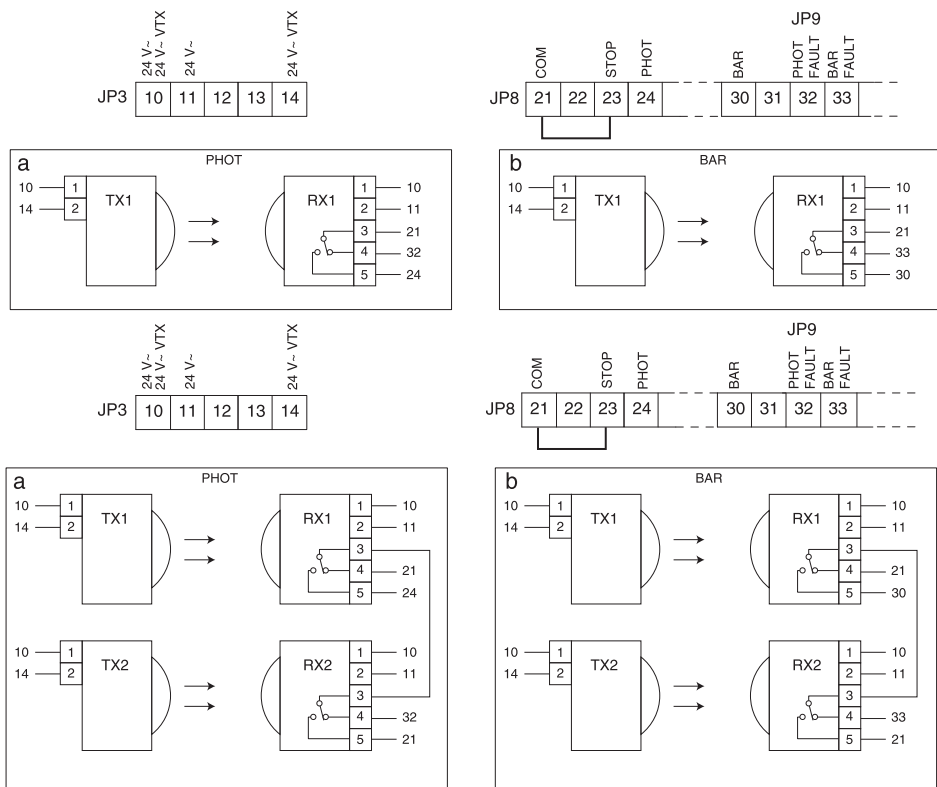


Fig. 21

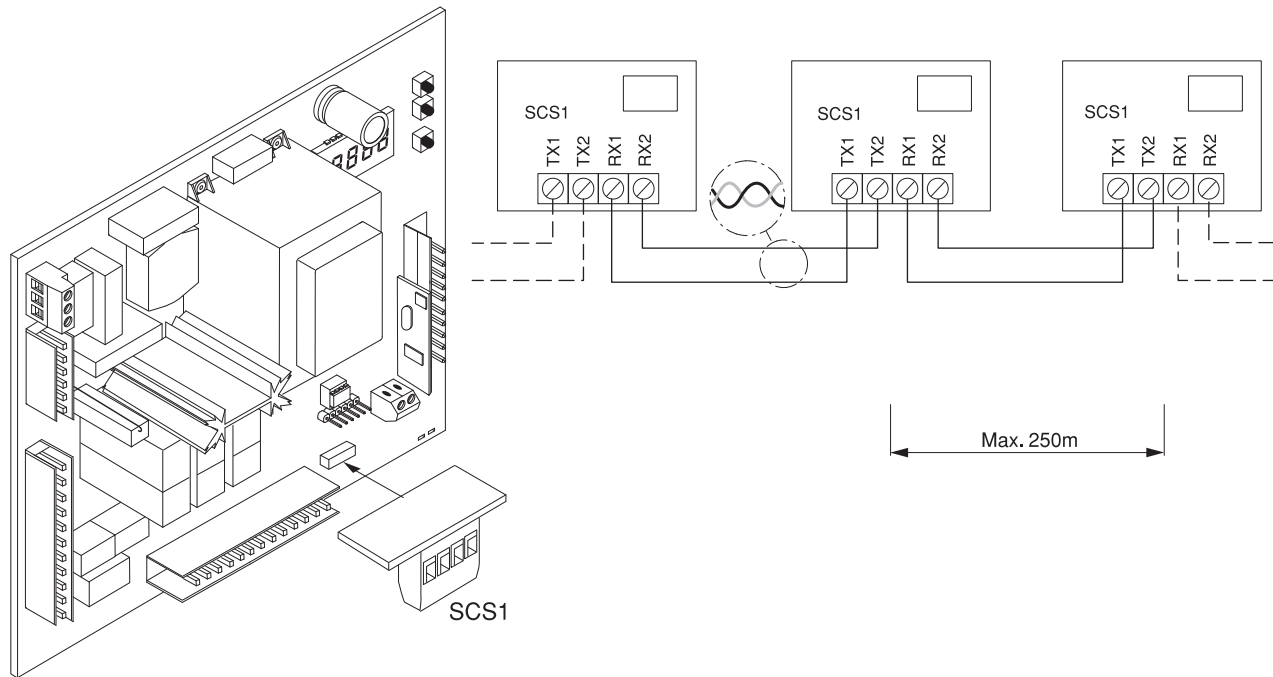


Fig. 21A

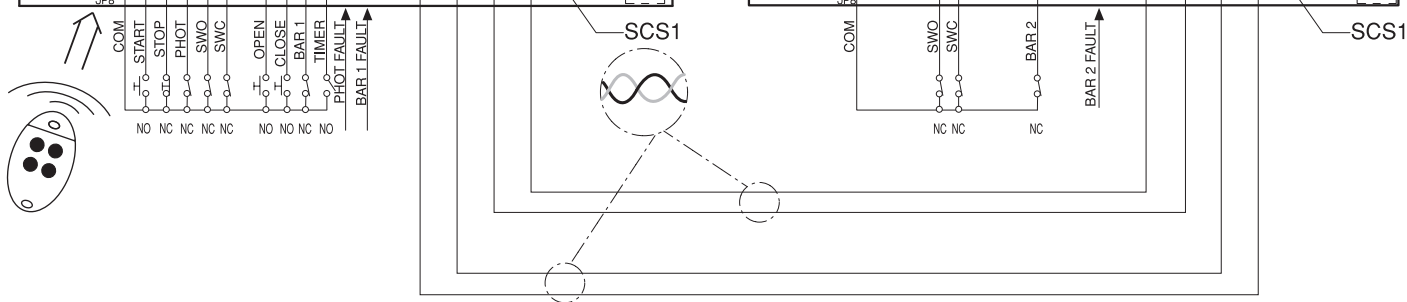
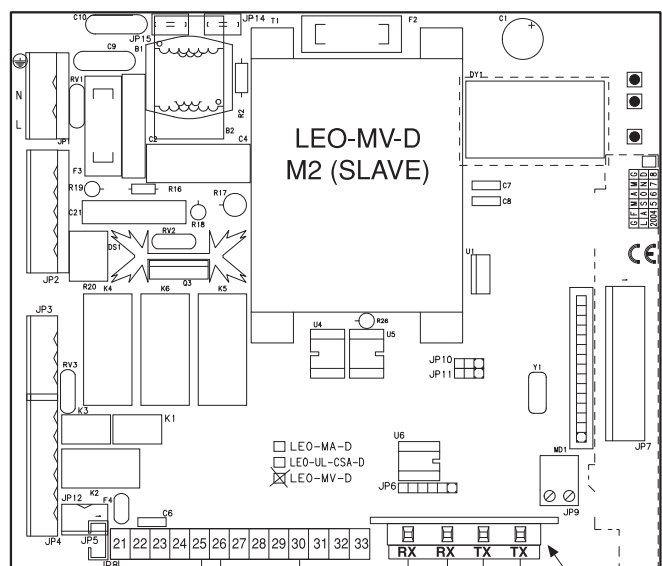
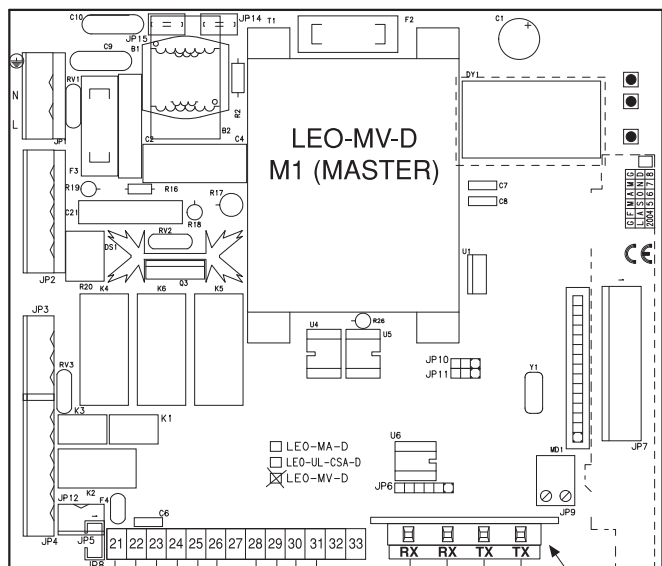
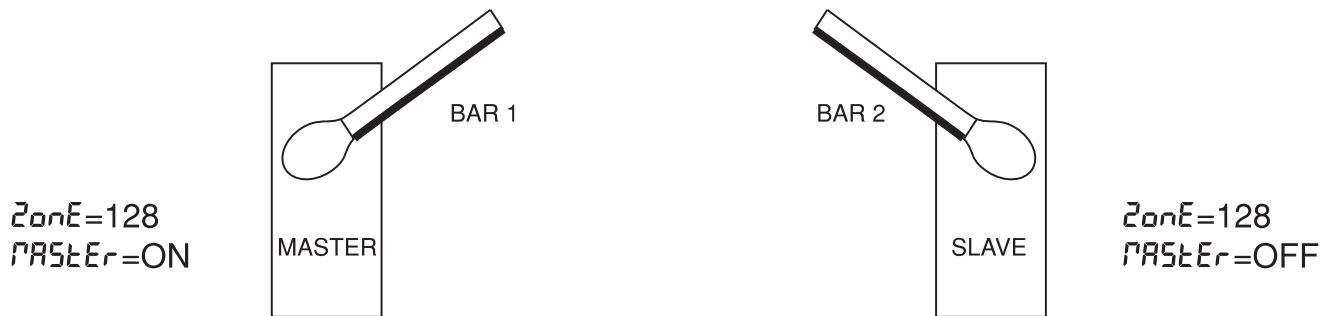


Fig. 22

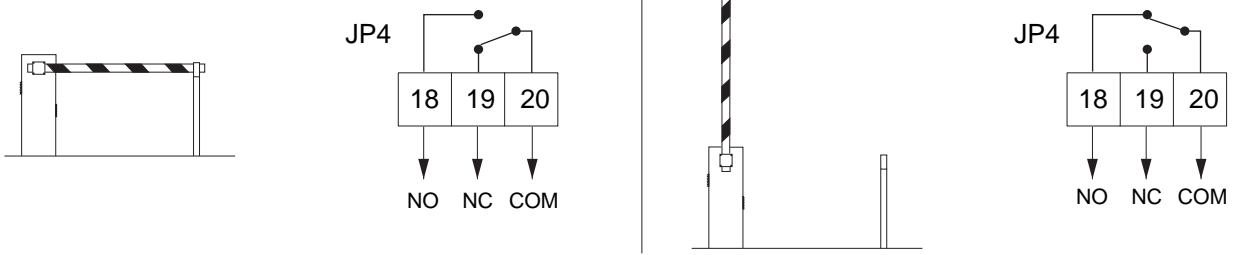


Fig. 23

Montaggio lampeggiante, Assembling the flashing light, Montage du clignotant, Montage Blinkleuchte, Montaje luz intermitente, Montagem da lâmpada cintilante

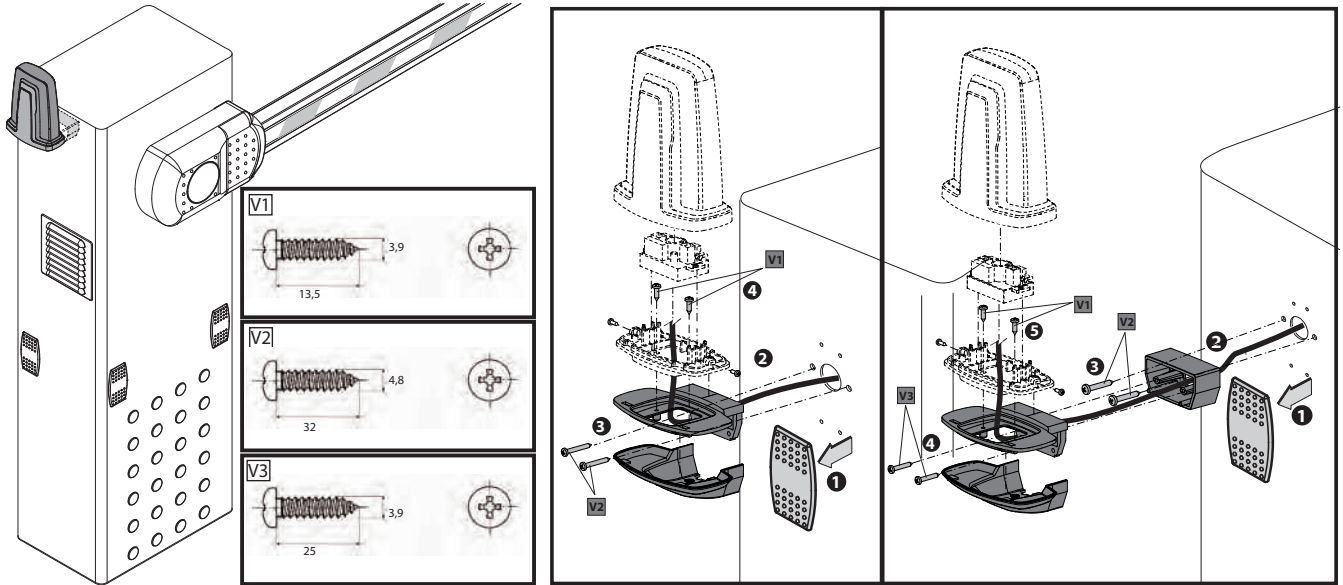
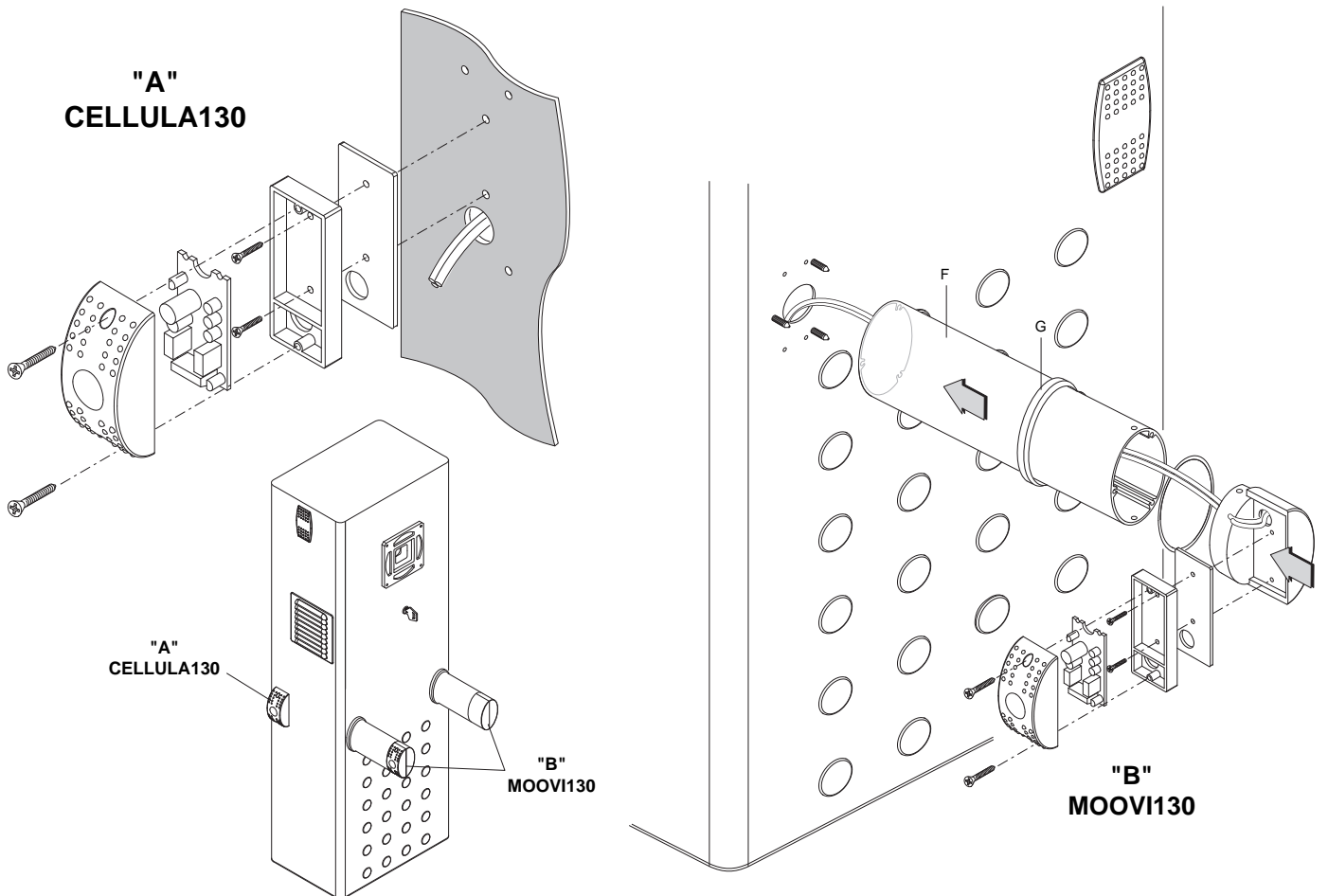
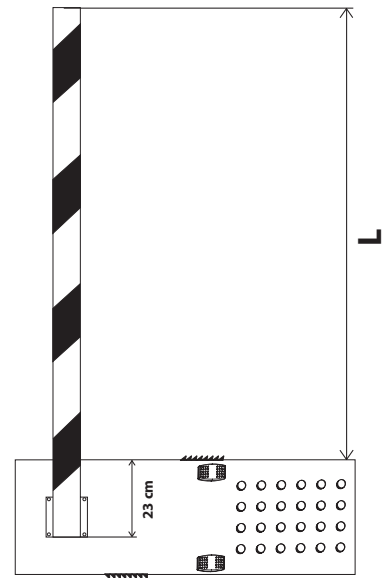


Fig. 24



Accessori MOOVI: lunghezza utile asta e bilanciamento. / MOOVI Accessories: working length of boom and balancing. / Accessoires MOOVI: longueur utile de la barre et équilibrage. / MOOVI Zubehör: Nutzlänge Schranke und Auswuchtung. / Accesorios MOOVI: longitud útil mástil y balance. / Comprimento útil e equilíbrio da haste.																												
	SB	+ SB	+ SB	+ SB	+ SB	+ SB	+ SB	+ SB	+ SB	+ SB	+ SB	+ SB	+ SB															
MOOVI PCA (solo sopra l'asta)*1		+ PCA	+ PCA	+ PCA	+ PCA	+ PCA	+ PCA	+ PCA	+ PCA	+ PCA	+ PCA	+ PCA	+ PCA	+ PCA														
MOOVI PCA (solo sotto l'asta)*2				+ PCA	+ PCA	+ PCA	+ PCA	+ PCA	+ PCA	+ PCA	+ PCA	+ PCA	+ PCA	+ PCA														
KIT MOOVI LIGHT		+ LIGHT	+ LIGHT	+ LIGHT	+ LIGHT	+ LIGHT	+ LIGHT	+ LIGHT	+ LIGHT	+ LIGHT	+ LIGHT	+ LIGHT	+ LIGHT	+ LIGHT														
GAM		+ GAM	+ GAM	+ GAM	+ GAM	+ GAM	+ GAM	+ GAM	+ GAM	+ GAM	+ GAM	+ GAM	+ GAM	+ GAM														
BIR			+ BIR	+ BIR	+ BIR	+ BIR	+ BIR	+ BIR	+ BIR	+ BIR	+ BIR	+ BIR	+ BIR	+ BIR														
MOOVI 50 RMM + ATG 5/ AQQ 5	A	3,2 m	3,2 m	3,3 m	3,7 m	3,8 m	4 m	4,2 m	4,3 m	4,5 m	4,8 m	4,8 m	4,3 m	4,3 m	3,6 m	3,4 m	3,4 m	4,1 m	4,2 m	4,4 m	4,4 m	4,6 m	4,7 m	4,7 m	5 m	5 m		
	B	3,5 m	3,6 m	3,7 m	4,2 m	4,3 m	4,5 m	4,7 m	4,7 m	4,7 m	5 m	5 m	5 m	4,8 m	4,8 m	4 m	4,5 m	4,5 m	4,5 m	4,6 m	4,9 m	4,9 m	5 m	5 m	5 m	5 m	5 m	
MOOVI 30 RMM + ATG 3/ AQQ 3	B	2,5 m	2,6 m	2,6 m	2,9 m	2,7 m	2,8 m	2,9 m	2,9 m	3 m	3 m	3 m	3 m	2,9 m	2,9 m	2,7 m	2,8 m	2,9 m	2,9 m	2,9 m	2,9 m	2,9 m	2,9 m	2,9 m	2,9 m	2,9 m	2,9 m	2,9 m
	C	1,7 m	1,7 m	1,8 m	2,1 m	2,1 m	2,2 m	2,3 m	2,3 m	2,3 m	2,3 m	2,5 m	2,5 m	2,4 m	2,4 m	1,9 m	2,1 m	2,1 m	2,4 m	2,4 m	2,4 m	2,4 m	2,4 m	2,4 m	2,4 m	2,4 m	2,4 m	2,4 m
MOOVI 50 RMM + ATG 6	A	3,2 m	3,2 m	3,3 m	3,7 m	3,8 m	4 m	4,2 m	4,3 m	4,5 m	4,8 m	4,8 m	4,3 m	4,3 m	3,4 m	3,6 m	3,6 m	4,1 m	4,2 m	4,4 m	4,4 m	4,6 m	4,7 m	4,7 m	4,7 m	4,7 m	4,7 m	
	MAX L	3,5 m	3,6 m	3,7 m	4,2 m	4,3 m	4,5 m	4,7 m	4,7 m	4,7 m	5 m	5 m	4,8 m	4,8 m	3,8 m	4 m	4,5 m	4,5 m	4,5 m	4,6 m	4,9 m	4,9 m	5 m	5 m	5 m	5 m	5 m	5 m



L: Lunghezza utile asta.

L: Working boom length.

L: Longueur utile de la barre.

L: Nutzlänge der Schranke.

L: Longitud útil mástil.

L: Comprimento útil da haste.

*1

(above boom only)
(uniquement sur la barre)
(nur über der Schranke)
(sólo sobre el mástil)
(alleen boven de slagboom)
(Apenas por cima da haste)

*2

(below boom only)
(uniquement sous la barre)
(nur unter der Schranke)
(sólo debajo el mástil)
(alleen onder de slagboom)
(Apenas por cima da haste)

BFT S.P.A.

Via Lago di Vico 44, 36015 Schio (Vi) - **Italy**
tel. +39 0445 69 65 11 / fax. +39 0445 69 65 22
www.bft.it / e-mail: info@bft.it

AUTOMATISMES BFT FRANCE

13 Bd. E. Michelet, 69008 Lyon - **France**
tel. +33 (0)4 78 76 09 88 - fax +33 (0)4 78 76 92 23
e-mail: contacts@automatismes-bft-france.fr

**BFT Torantriebssysteme GmbH**

Faber-Castell-Straße 29
D - 90522 Oberasbach - **Germany**
tel. +49 (0)911 766 00 90 - fax +49 (0)911 766 00 99
e-mail: service@bft-torantriebe.de

BFT Automation UK Ltd

Unit 8E, Newby Road
Industrial Estate Hazel Grove, Stockport,
Cheshire, SK7 5DA - **UK**
tel. +44 (0) 161 4560456 - fax +44 (0) 161 4569090
e-mail: info@bftautomation.co.uk

BFT BENELUX SA

Parc Industriel 1, Rue du commerce 12
1400 Nivelles - **Belgium**
tel. +32 (0)67 55 02 00 - fax +32 (0)67 55 02 01
e-mail: info@bftbenelux.be

BFT-ADRIA d.o.o.

Obrovac 39
51218 Dražice (Rijeka)
Hrvatska - **Croatia**
tel. +385 (0)51 502 640 - fax +385 (0)51 502 644
e-mail: info@bft.hr

BFT Polska Sp. z o.o.

Unit 8E, Newby Road
ul. Kolacińska 35
03-171 Warszawa - **Poland**
tel. +48 22 814 12 22 - fax +48 22 814 39 18
e-mail: biuro@bft.com.pl

BFT USA BFT U.S., Inc.

6100 Broken Sound Pkwy, N.W., Suite 14
Boca Raton, FL 33487 - **U.S.A.**
T: +1 561.995.8155 - F: +1 561.995.8160
TOLL FREE 1.877.995.8155 - info.bft@bft-usa.com

BFT GROUP ITALIBERICA DE AUTOMATISMOS S.L.

Pol. Palou Nord,
Sector F - C/Cami - Can Basa nº 6-8 08401 Granollers -
(Barcelona) - Spain
tel. +34 938 61 48 28 - fax +34 938 70 03 94
e-mail: bftbcn@bftautomatismos.com

Pl. Comendador - C/
informática, Nave 22 - 19200 Azuqueca de henares
(Guadalajara) - Spain
tel. +34 949 26 32 00 - fax +34 949 26 24 51
e-mail: administracion@bftautomatismos.com

BFT SA-COMERCIO DE AUTOMATISMOS E MATERIAL DE SEGURANÇA
Urbanizaçao da Pedrulha Lote 9 - Apartado 8123,
3020-305 COIMBRA - **PORTUGAL**
tel. +351 239 082 790 - fax +351 239 082 799
e-mail: geral@bftportugal.com