

Ixengo L 230 V

Screw motorization for swinging gate



Available reference

IXENGO S 24 V

- 1216309 IXENGO L 24V RTS PACK STD
- 1216311 IXENGO L 24V RTS PACK CFT
- 1216312 IXENGO L 24V IO PACK CFT
- 1216237 IXENGO - L 24V MOTOR ONLY

IXENGO S 230 V

- 1216220 IXENGO - L 230V STANDARD PACK
- 1216238 IXENGO - L 230V MOTOR ONLY

www.somfy.com

Guarantee: 3 years

CONTROLS :



IXENGO L 24 V RTS

- 1841147 CBX IXENGO 24 RTS + 2 KEYGO
- 1841149 CBX IXENGO 24 RTS NO REMOTE

IXENGO L 24 V IO

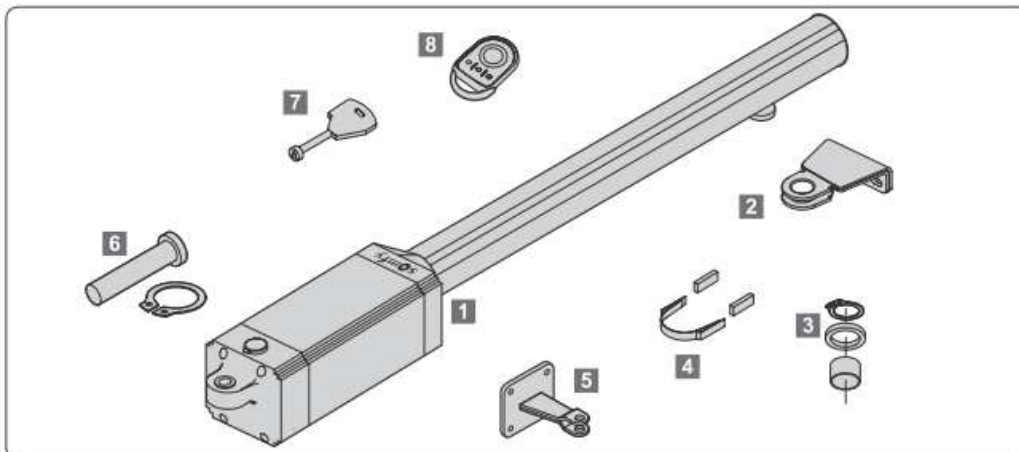
- 1841148 CBX IXENGO 24 IO + 2 KEYGO
- 1841150 CBX IXENGO 24 IO NO REMOTE



IXENGO L 230 V

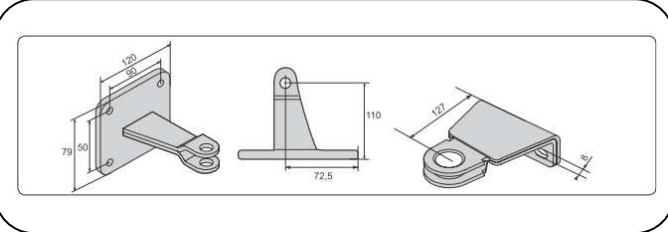
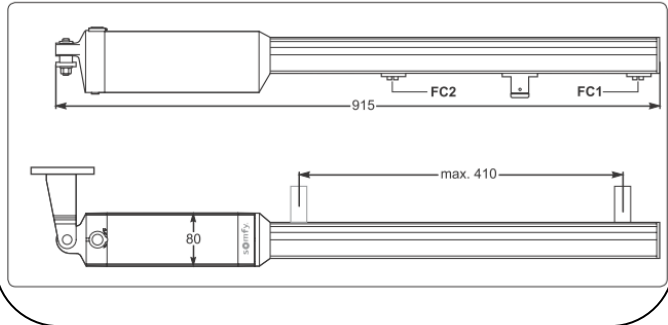
- 1841099 FX 230

Components

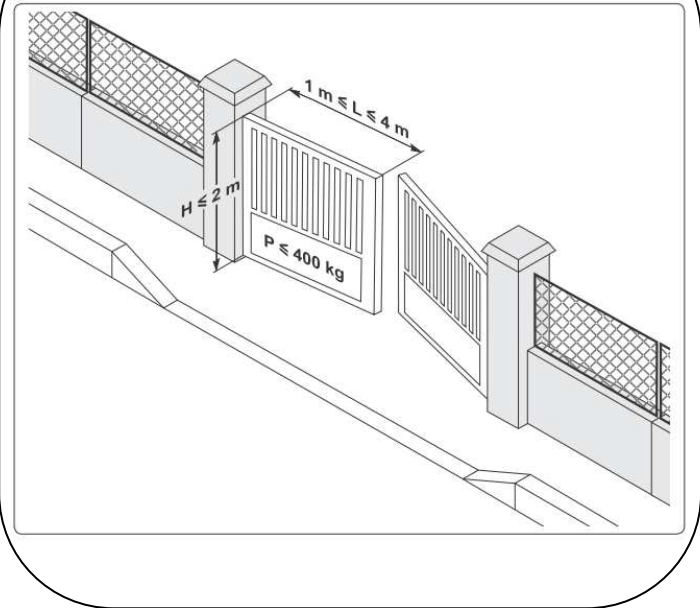


Key	Number	Kit	Motor only	Description
1	2	1		Ixengo L motor unit
2	2	1		Gate mounting bracket
3	2	1		Washers and circlips
4	2	1		Magnet holder + 2 magnets
5	2	1		Gate post mounting bracket
6	2	1		Motor/gate post mounting bracket hinge pin
7	1	1		Unlocking key
8	2	0		Keygo RTS remote control

Dimensions



Application



SPECIFICATIONS

	24 V version	230 V version
Power supply	24 V DC	230 V 50 Hz
Rotation speed	3800 rpm	2800 rpm
Power consumption	40 W	210 W
Current consumption	1.5 A	0.8 A
Push and pull torque	2000 N	2000 N
Useful travel	410 mm	458 mm
Drive rod speed	14 mm/s	13 mm/s
Obstacle detection (impact reaction)	Built-in torque limiter	Electronic clutch on the control panel
Limit stops	Built-in, electromechanical and adjustable	/
Manual operation	By unlocking key	By unlocking key
Nbr. of operations per 24 hours	60 operations	60 operations
Maximum gate section length	4000 mm	4000 mm
Maximum gate section weight	400 kg	400 kg
Ambient conditions	-20°C to +60°C	-20°C to +60°C
Protection level	IP44	IP44
Lubrication	Greased for life	Greased for life

This product, installed in accordance with this guide, complies with EN 12453 and EN 13241-1 standards.

The instructions referred to in the product Installation and Operating manuals are intended to meet the requirements of property safety, personal safety and the above-mentioned standards.

Failure to comply with these instructions releases Somfy from any liability for damage that may be entailed.

We, Somfy, declare that this product is compliant with the essential requirements and other relevant stipulations of directive 1999/5/EC. A compliance declaration is available from the following address www.somfy.com/ce (Ixengo_L).

This product can be used in the European Union and in Switzerland.