

eView

Analogue Addressable Serial Annunciator



Features

- Available in Red or Grey
- Up to 15 annunciators can be connected to each Elite or Elite RS fire control panel
- Large liquid crystal display (240 x 64 pixels)
- High brightness LED indications
- Internal sounder
- Replicates all panel controls (Elite)
- Simple, two-wire serial connection
- Small, Elite style enclosure
- Removable electronics for easy installation
- 24V DC powered
- Low power consumption
- Multi language options
- Connection supervised by Elite fire control panel

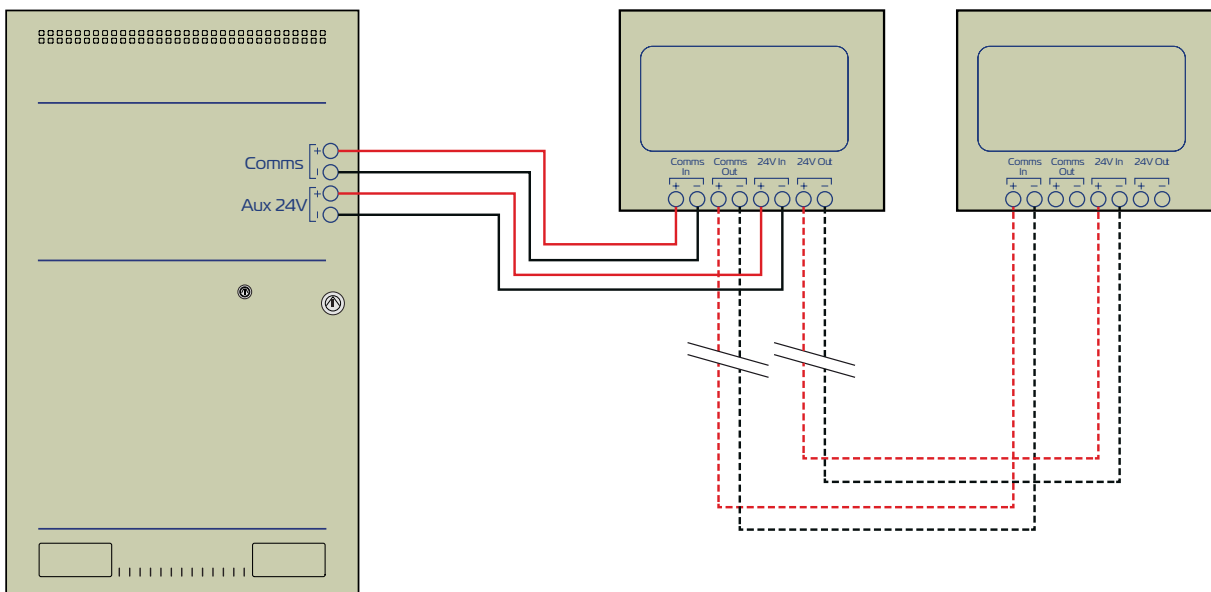
Product Overview

- Designed and manufactured to the highest standards in a quality controlled environment the eVIEW fire alarm annunciator provides a simple and convenient method of extending the controls and indications of the Elite fire alarm control panel to other locations.
- The large, graphic liquid crystal display and high brightness LED indicators duplicate the indications on the Elite fire alarm control panel at up to 15 additional locations via a simple, two-wire serial data connection.
- The eVIEW is powered by 24V DC (which can be via an additional 2 conductors from the control panel or local 24V DC listed supply).
- eVIEW is housed in a small enclosure which is styled similarly to the Elite control panel and is ideal for installations where a large control panel would be detrimental to décor such as entrance halls.
- Up to 15 eVIEW annunciators can be connected to each control panel on the Elite network making eVIEW ideal where multiple points of indication and/or control are required such as nurses stations or shop units.

**NOT
SUITABLE
FOR EU
MARKETS**



Elite series control panel



Panels

| Product Code | Description | Size (mm) |
|--------------|-----------------------------|----------------|
| K1172-10 | eView Repeater Panel - Red | 263 x 191 x 42 |
| K1172-40 | eView Repeater Panel - Grey | 263 x 191 x 42 |

Technical

| | |
|---|--|
| Construction | - 1.2mm mild sheet steel |
| Cable entry | - 4 knockouts in back of box and 1 in left and right sides |
| Weight | - 1.6kg |
| Finish | - RAL3002 (Red) or BS 00 A 05 (Grey) |
| 24V supply | - 21 to 30V DC |
| Maximum ripple current | - 200 millivolts |
| Quiescent current of panel in mains fail | - 0.03 Amps |
| Serial data connection | - 2 core RS485 (Up to 1200 metres total cable length) |
| Maximum terminal capacity | - 12AWG |



Flushing Collar Technical

| | |
|-------------------------|--|
| Part number | - K1173 |
| Outer Dimensions | - 288mm W x 220mm H x 34mm D |
| Inner Dimensions | - 263mm W x 191mm H |
| Colour | - Available in Red (K1173-10) or Grey (K1173-40) |

The eView semi flushing collar allows the eVIEW annunciator to easily be recess mounted. Flushing collars provides placement tabs that fold behind dry wall. Traditional screw mounting is available by 2 openings in each of the vertical frames. Conduit entry is not blocked by collar.