



# User Manual

Single Door RFID Based Access Control  
SA32-E

# Product Overview

---



## SA32-E

### Single Door RFID Based Access Control

SA32-E is an Access Control Standalone Device with contact-less smart card and password verifications, which enables 3 verification modes (Card only, PIN only, and Card & PIN) to ensure maximum safety and flexibility. With 1 Relay output (optional) and 1 PUSH (low) output, 1 door button Port and 1 doorbell Port, SA32 is simple but effective to use, its convenience and adaptability allow it to be well deployed in residential housing, offices and any other public facilities.

# 1. Specifications:

## 1.1 Technical parameters:

NO	Item	Value
1	Operating voltage	DC 12V±10%
2	Operating current	< 100mA
3	Dimensions	120mm×78mm×22mm
4	Weight	110g
5	Ambient temperature	0℃ —60℃
6	Relative humidity	20%—80%
7	Storage	1000users
8	Card type (alternative)	EM(ID) card(IC card for options)
9	Card reading distance	1—15CM

## 1.2 Factory Default:

Programming Password	123456	Common Access Password	None
Backlight	Auto (for options)	Relay Unlock output	5 Seconds
W26 port	Input (for options)	Security mode	OFF
Open mode	Card or Access Password Access Password include Private Access Password (PIN) and Common Access Password		

## 1.3 Light and Sound indicates:

Light: red and green

Light Description	Access control status
Red light flash every 1 sec (Slow flash)	Holding state
Red light is always ON	Programming state
Green light is always ON within Open time	Unlocking state
Green light flash every 0.5sec (Fast flash)	Pending further action

Sound : buzz

Description	I ndicates
1 short buzz	Valid input
3 short buzz	Invalid input
1 long buzz	Program success
Continuous long buzz	Restoring factory programming passwords

## 2. Installations Guide

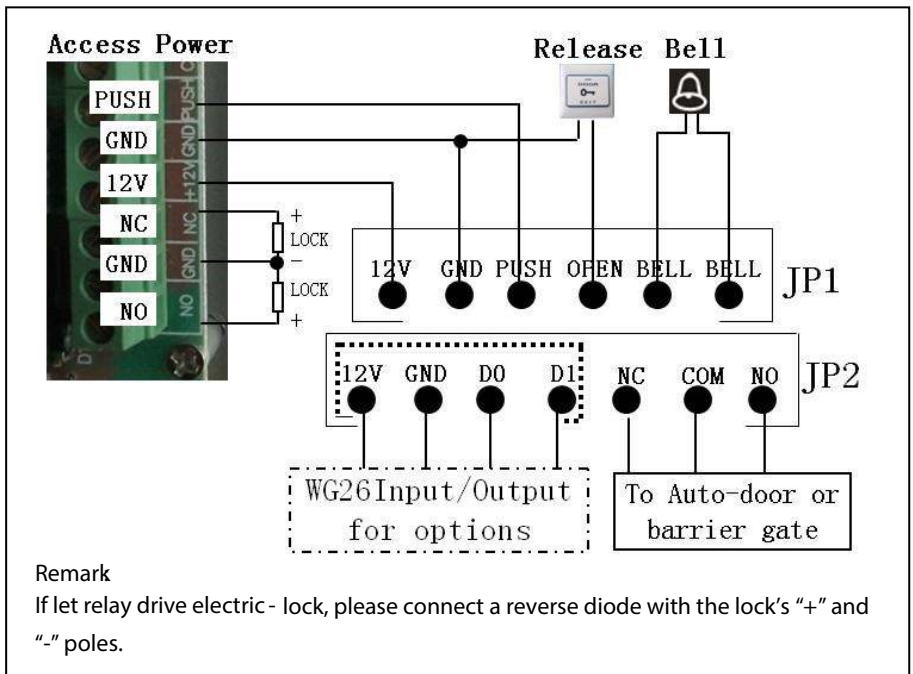
### JP1 terminal:

NO	Mark	Color	Function
1	+12V	Red	Power+
2	GND	Black	Power-
3	PUSH	BLUE	Low level output
4	OPEN	Yellow	Door Release
5	BELL	Grey	BELL
6	BELL	White	BELL

### JP2 terminal:

NO	Mark	Color	Function	Remark
1	+12V	Red	Power+	For options
2	GND	Black	Power-	
3	DATA0	Green	WG DATA0	
4	DATA1	White	WG DATA1	
5	NC	Brown	Relay NC output	
6	COM	Blue	Relay Com output	
7	NO	Purple	Relay NO output	

### Wiring diagram:



# 3. Programming Guide

## 3.1 Detailed Programming Guides

Programming Password Default: 123456, all password can be 3-6 digits

Purpose	Operation	Remark
Basic Function	Change Programming Password # Programming Password # 0 new Programming Password #	Programming Password (not, perform S2 to reset to Factory Default (123456))
	Set Common Access Password # Programming Password # 21 new Common Access Password #	Contract Access Password is only one. Open method: Common Access Password #
	Add user card # Programming Password # 1 read card #	Add multi cards, new cards continuously
	Delete all users # Programming Password # 40 DCCC #	Delete all cards and PIN except Common Access Password
	Delete user by read card # Programming Password # 41 read card #	If delete multi cards, read cards continuously
Expand Function	Add Private Access Password(PIN) # Programming Password # 22 PIN #	PIN can be more, Utilize door method. PIN #
	Add card by input card No. # Programming Password # 23 input card No. #	Card No. is 10-digit or 8-digit, machine auto-identify
	Add multi card by input card No. zone # Programming Password # 24 input start card No. card City #	Card City is 4-digit (if one-time add twenty cards, input 2000)
	Add card +PIN # Programming Password # 3 read card PIN #	1 modify PIN, see 3.2
	Delete user by input User ID No. # Programming Password # 42 input User ID No. #	About User ID No. see 3.4
	Delete user by input card No. # Programming Password # 43 input card No. #	Card No. is 10-digit or 8-digit, machine auto-identify
	Delete user by input PIN # Programming Password # 44 input PIN #	PIN is 3-6 digits
	Delete all +PIN users # Programming Password # 45 1111 #	Use to +PIN users (Do not include Card users and Card +PIN Users)
	Change Open time # Programming Password # 5 XX #	XX can be 2 digit, and the max is 99. If input 00, the signal output time is 0.2 Secs
	Set Open mode # Programming Password # 6 XX #	XX can be 01 (only card) 02 (card or Access Password) 03 (card +PIN)
	Reader setting (For options) # Programming Password # 8 04 #	The machine can be used for reader (WPA output)
	Security function setting (For options) # Programming Password # 7 XX #	XX can be 01: 02: Security function OFF=ON; and 33: 6: (Anti-disturbance anti OFF=ON)
	Backlight setting (For options) # Programming Password # 8 XX #	XX can be 01: 02: 03 (Normal ON / Normal OFF / Auto)
	Reset Factory Default # Programming Password # 8 99 #	Except Programming Password and Manager Card
	Set Manager Card # Programming Password # 91 read MAC read MDC #	First read card is Manager Acc Card and Second read card is Manager Delete Card

### 3.2 To reset to Factory Programming Password (123456)

Step1. Turn off power and connect bin 2&3 of RST(S1).

Step2. Turn on power and buzzer gives 3 long buzz with green light flash fast.

If need to set Manager Card, now read two empty cards first one as Manager Add Card and

Second one as Manager Delete Card with red light flashing and continuous short buzz .

Step3. Turn off power, disconnect bin2&3 and connect bin 1&2 of RST.

Step4. Turn on power again.

### 3.3 How to use Manager Card - MAC & MDC

To add a card user in standby mode: read MAC read new cards read MAC

To delete a card user in standby mode: read MDC read registered cards read MDC

To delete all users in standby mode: read MDC read MAC read MDC

Remark: User cards can be added or deleted continuously.

### 3.4 User ID No. explain

User ID is auto-generating 4-digit number started at 0001. The number increases with adding user one by one and ignores deleting user. Common Access Password has no ID.

### 3.5 How to change PIN (When open mode: card+ PIN)

After reading card and input corresponding PIN to open the door, within 5 seconds, long press # until the green lights flash fast. and then input new PIN # new PIN #, new PIN changed successfully with a long buzz.



#24,Shambavi Building, 23rd Main, Marenahalli,  
JP Nagar 2nd Phase, Bangalore - 560078  
Phone: 91-8026090500 | Email : sales@esslindia.com  
[www.esslsecurity.com](http://www.esslsecurity.com)